

## **Features**

- MetroView® 4-SSG Window Wall is a unitized, pre glazed window wall system
- 2-1/2" (63.5) sightline. mullion depths of:
  - 5-1/2" (139.7)
  - 8" (203.2)
- Thermally broken head and sill receptors
- Screw spline shop assembly
- Shop glazed infill options:
  - 1" (25.4) ,1-5/16" (33.3) and 1-3/4" (44.5) insulating glass at vision area and slab edge cover
- 4-sided SSG (all glass exterior look)
- No exterior applied joint seals. Can be fully installed from inside, saving installation costs
- Exterior re-glazing capability
- 90° inside and outside corners
- Comprehensively tested to North American Standards, including seismic, thermal, and acoustical standards
- Permanodic® anodized finishes option
- Painted finishes in standard and custom choices

## **Optional Features**

- Integrates with Kawneer GLASSvent® UT Windows and 2000T Terrace Doors
- Steel reinforcing available
- Strap Anchors
- Balcony condition install

## **Product Applications**

- Suitable for new construction or remodel
- Ideal for mid-rise and high-rise applications

For specific product applications,  
consult your Kawneer representative.

Laws and building and safety codes governing the design and use of Kawneer products, such as glazed entrance, window, and curtain wall products, vary widely. Kawneer does not control the selection of product configurations, operating hardware, or glazing materials, and assumes no responsibility therefor.

Kawneer reserves the right to change configuration without prior notice when deemed necessary for product improvement.  
© 2026, Kawneer Company, Inc.

**Architects** – Most extrusion and window types illustrated in this catalog are standard products for Kawneer. These concepts have been expanded and modified to afford you design freedom. Some miscellaneous details are non-standard and are intended to demonstrate how the system can be modified to expand design flexibility. Please contact your Kawneer representative for further assistance.

<b>PICTORIAL VIEW .....</b>	<b>4-5</b>
<b>5-1/2" MULLION DEPTH - 1" (25.4) INFILLS</b>	
<b>TYPICAL DETAILS .....</b>	<b>6-7</b>
<b>BALCONY DETAILS .....</b>	<b>8-9</b>
<b>2000T TERRACE OUTSWING DOOR DETAILS .....</b>	<b>10-11</b>
<b>2000T TERRACE INSWING DOOR DETAILS .....</b>	<b>12-13</b>
<b>CORNER DETAILS .....</b>	<b>14-15</b>
<b>GLASSvent® UT WINDOW DETAILS .....</b>	<b>16</b>
<b>MISCELLANEOUS DETAILS .....</b>	<b>17</b>
<b>5-1/2" MULLION DEPTH - 1-5/16" (33.3) INFILLS</b>	
<b>TYPICAL DETAILS .....</b>	<b>18-19</b>
<b>BALCONY DETAILS .....</b>	<b>20-21</b>
<b>2000T TERRACE OUTSWING DOOR DETAILS .....</b>	<b>22-23</b>
<b>2000T TERRACE INSWING DOOR DETAILS .....</b>	<b>24-25</b>
<b>CORNER DETAILS .....</b>	<b>26-27</b>
<b>MISCELLANEOUS DETAILS .....</b>	<b>29</b>
<b>5-1/2" MULLION DEPTH - 1-3/4" (44.5) INFILLS</b>	
<b>TYPICAL DETAILS .....</b>	<b>30-31</b>
<b>BALCONY DETAILS .....</b>	<b>32-33</b>
<b>2000T TERRACE OUTSWING DOOR DETAILS .....</b>	<b>34-35</b>
<b>2000T TERRACE INSWING DOOR DETAILS .....</b>	<b>36-37</b>
<b>CORNER DETAILS .....</b>	<b>38-39</b>
<b>GLASSvent® UT WINDOW DETAILS .....</b>	<b>40</b>
<b>MISCELLANEOUS DETAILS .....</b>	<b>41</b>

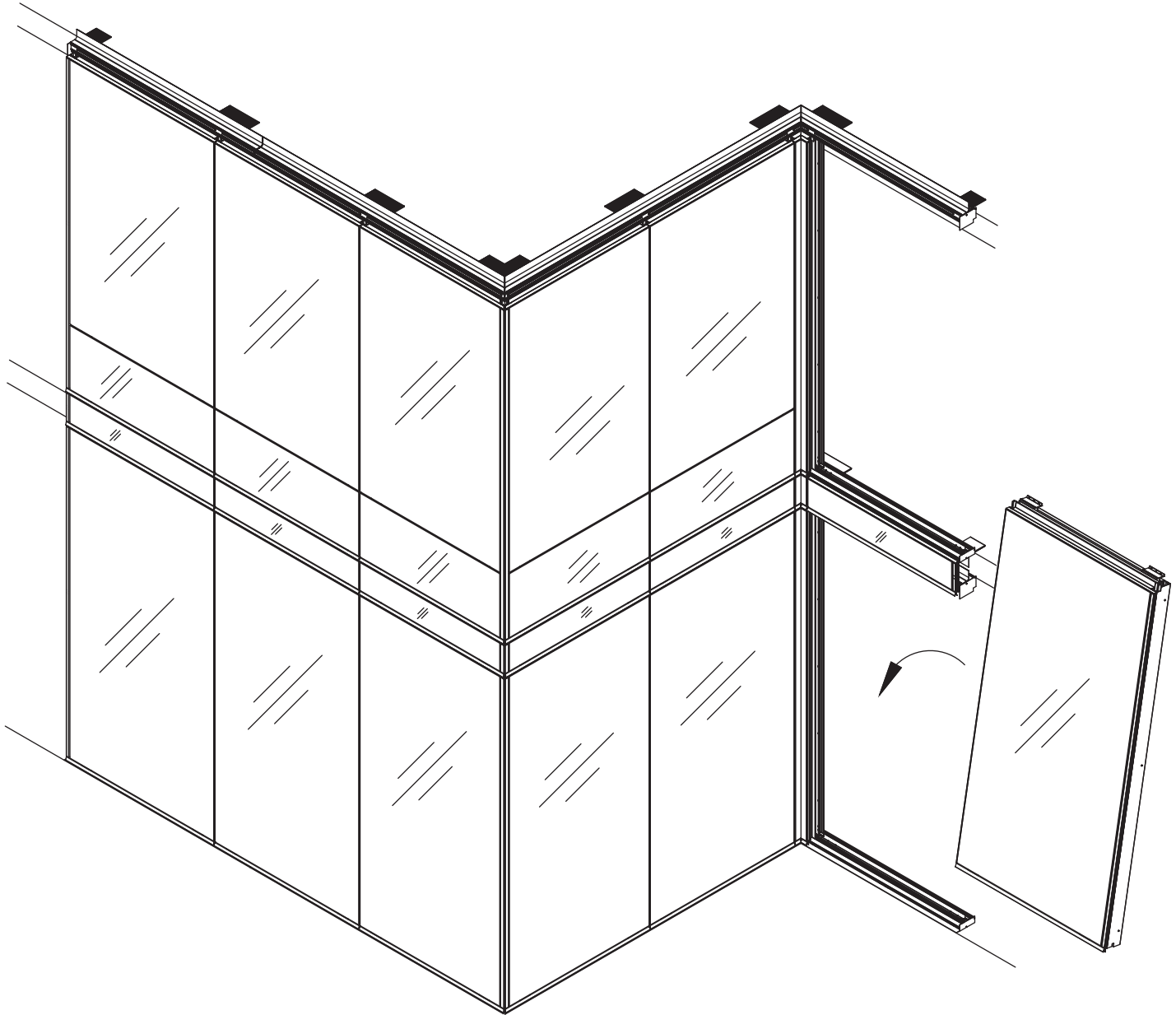
Metric (SI) conversion figures are included throughout these details for reference. Numbers in parentheses ( ) are millimeters unless otherwise noted.

The following metric (SI) units are found in these details:

- m – meter
- cm – centimeter
- mm – millimeter
- s – second
- Pa – pascal
- MPa – megapascal

Laws and building and safety codes governing the design and use of Kawneer products, such as glazed entrance, window, and curtain wall products, vary widely. Kawneer does not control the selection of product configurations, operating hardware, or glazing materials, and assumes no responsibility therefor.

Kawneer reserves the right to change configuration without prior notice when deemed necessary for product improvement.  
 © 2026, Kawneer Company, Inc.

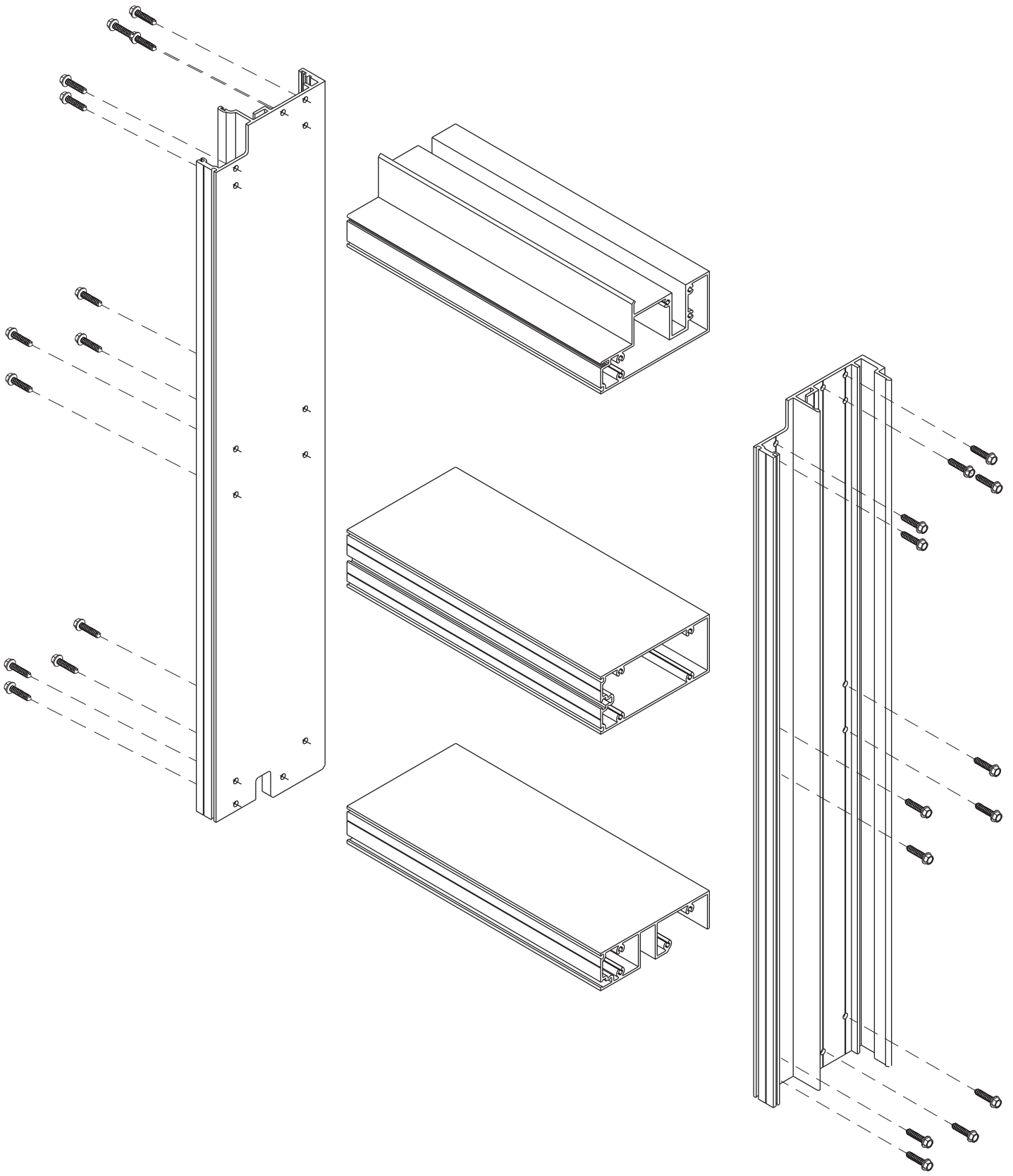


Laws and building and safety codes governing the design and use of Kawneer products, such as glazed entrance, window, and curtain wall products, vary widely. Kawneer does not control the selection of product configurations, operating hardware, or glazing materials, and assumes no responsibility therefor.

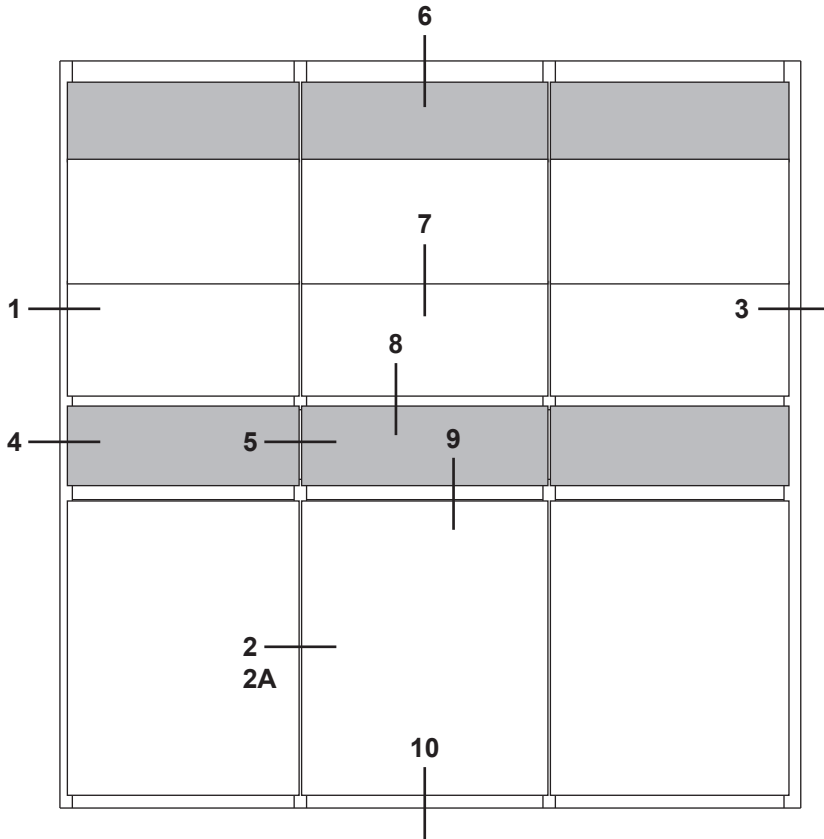
Kawneer reserves the right to change configuration without prior notice when deemed necessary for product improvement.  
© 2026, Kawneer Company, Inc.

Laws and building and safety codes governing the design and use of Kawneer products, such as glazed entrance, window, and curtain wall products, vary widely. Kawneer does not control the selection of product configurations, operating hardware, or glazing materials, and assumes no responsibility therefor.

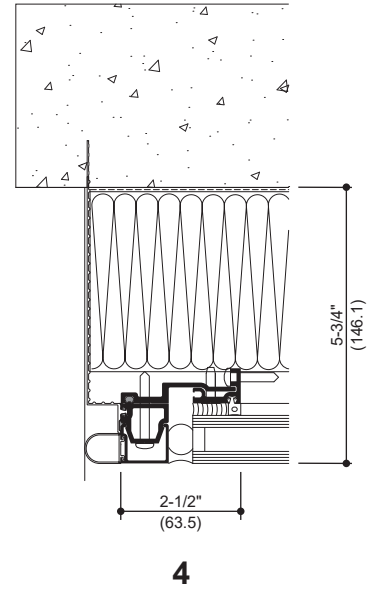
Kawneer reserves the right to change configuration without prior notice when deemed necessary for product improvement.  
© 2026, Kawneer Company, Inc.



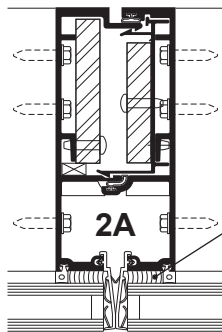
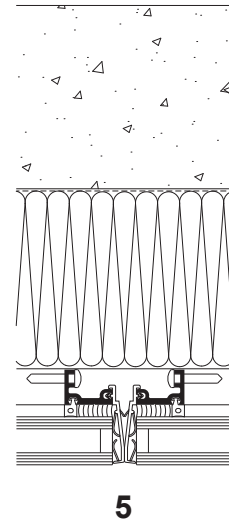
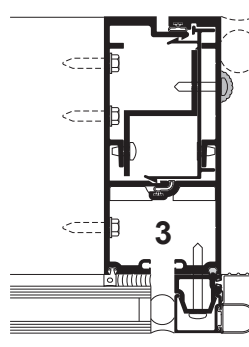
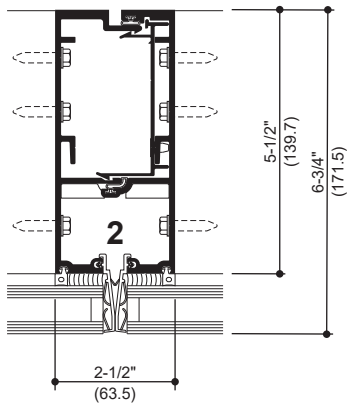
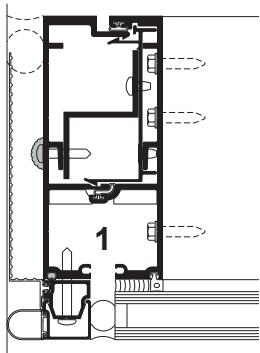
Additional information and CAD details are available at [www.kawneer.com](http://www.kawneer.com)



5-1/2" mullion depth shown,  
8" mullion depth similar.



ELEVATION IS NUMBER KEYED TO DETAILS



OPTIONAL STEEL  
REINFORCING  
AS REQUIRED

\* **INSTALLER NOTE:** Installer is responsible for all required compatibility review and approvals with the Structural Silicone Manufacturer and the Insulating Glass Unit Manufacturer.

Laws and building and safety codes governing the design and use of Kawneer products, such as glazed entrance, window, and curtain wall products, vary widely. Kawneer does not control the selection of product configurations, operating hardware, or glazing materials, and assumes no responsibility therefor.

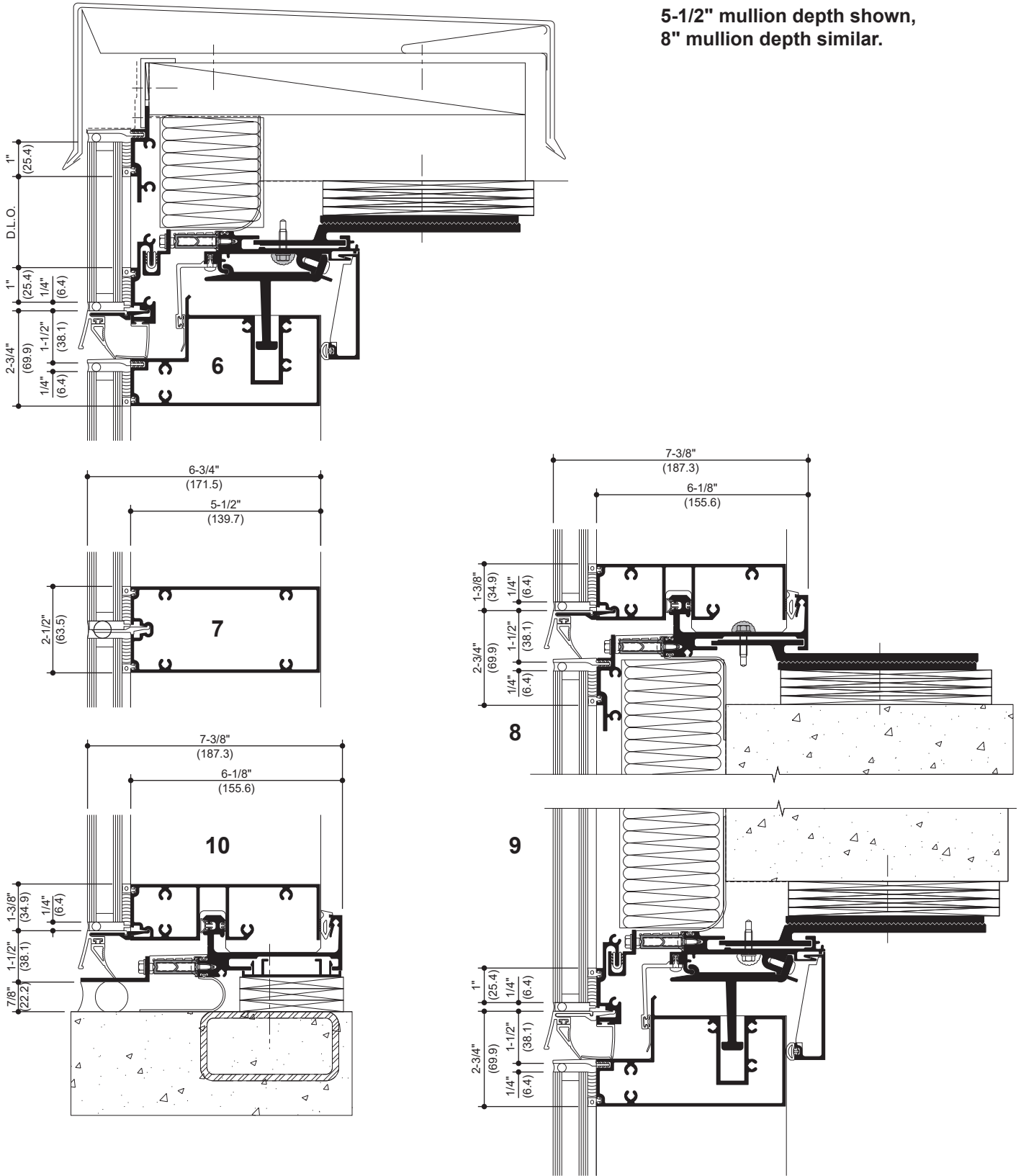
Kawneer reserves the right to change configuration without prior notice when deemed necessary for product improvement.  
© 2026, Kawneer Company, Inc.

Additional information and CAD details are available at [www.kawneer.com](http://www.kawneer.com)

5-1/2" mullion depth shown,  
8" mullion depth similar.

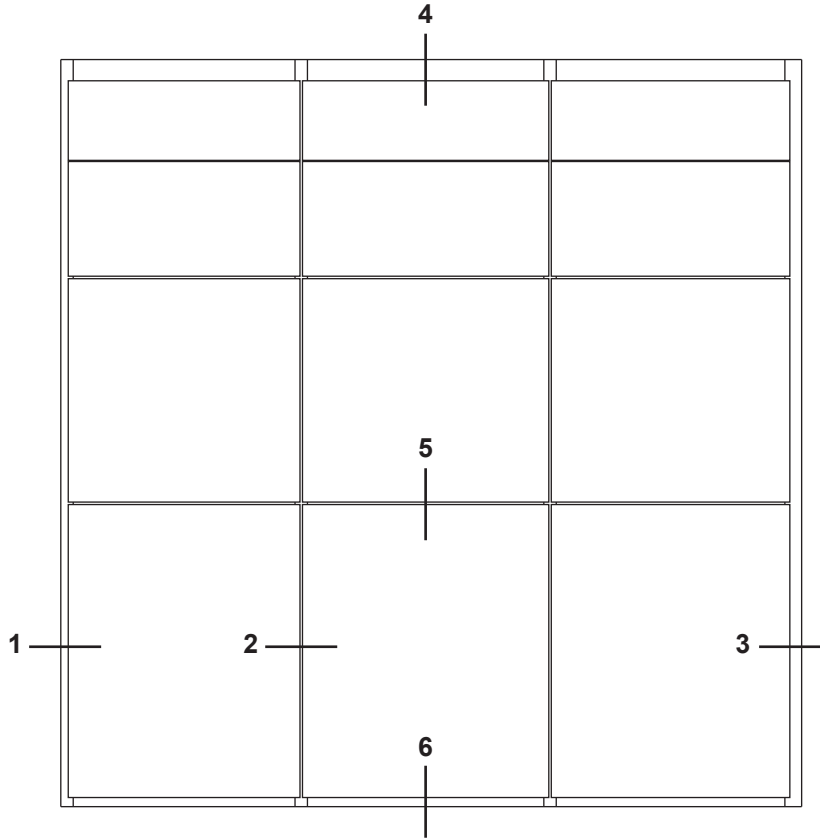
Laws and building and safety codes governing the design and use of Kawneer products, such as glazed entrance, window, and curtain wall products, vary widely. Kawneer does not control the selection of product configurations, operating hardware, or glazing materials, and assumes no responsibility therefor.

Kawneer reserves the right to change configuration without prior notice when deemed necessary for product improvement.  
© 2026, Kawneer Company, Inc.

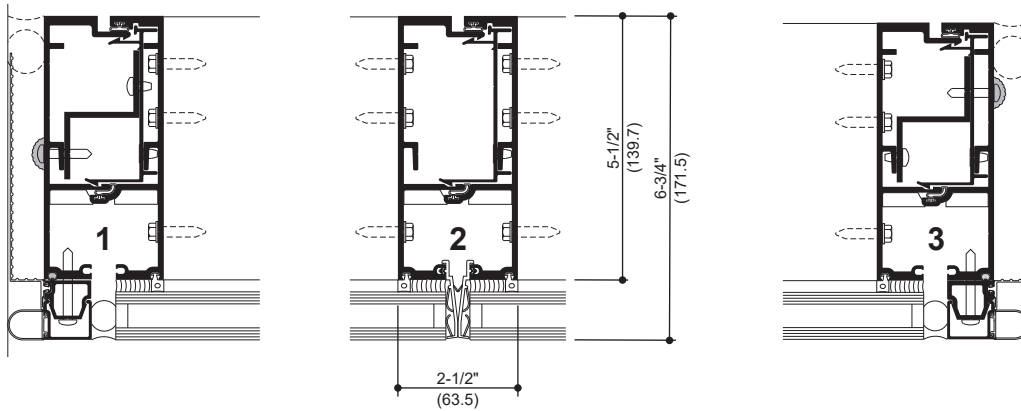


Additional information and CAD details are available at [www.kawneer.com](http://www.kawneer.com)

5-1/2" mullion depth shown,  
8" mullion depth similar.



ELEVATION IS NUMBER KEYED TO DETAILS



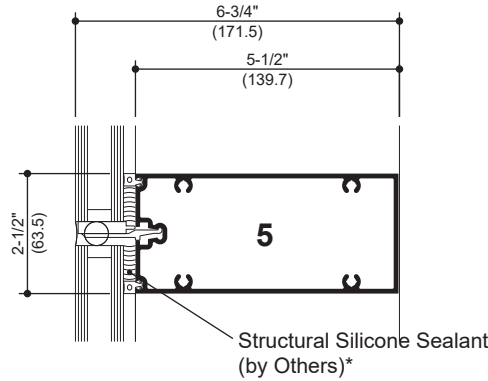
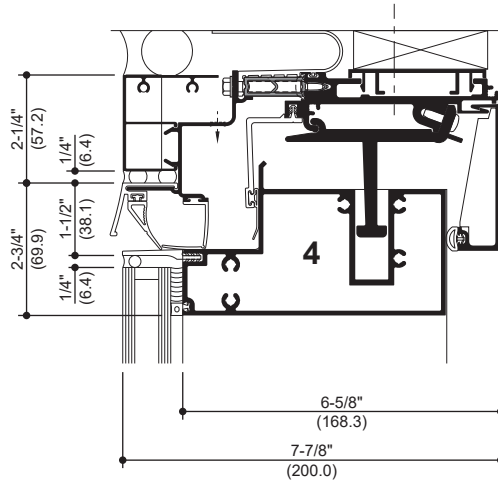
Laws and building and safety codes governing the design and use of Kawneer products, such as glazed entrance, window, and curtain wall products, vary widely. Kawneer does not control the selection of product configurations, operating hardware, or glazing materials, and assumes no responsibility therefor.

Kawneer reserves the right to change configuration without prior notice when deemed necessary for product improvement.

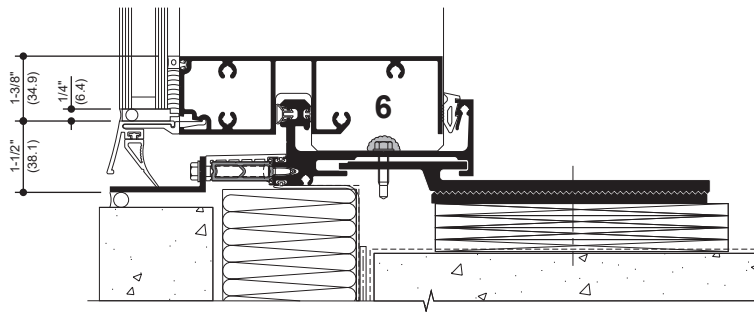
© 2026, Kawneer Company, Inc.

Additional information and CAD details are available at [www.kawneer.com](http://www.kawneer.com)

5-1/2" mullion depth shown,  
8" mullion depth similar.



\* **INSTALLER NOTE:** Installer is responsible for all required compatibility review and approvals with the Structural Silicone Manufacturer and the Insulating Glass Unit Manufacturer.

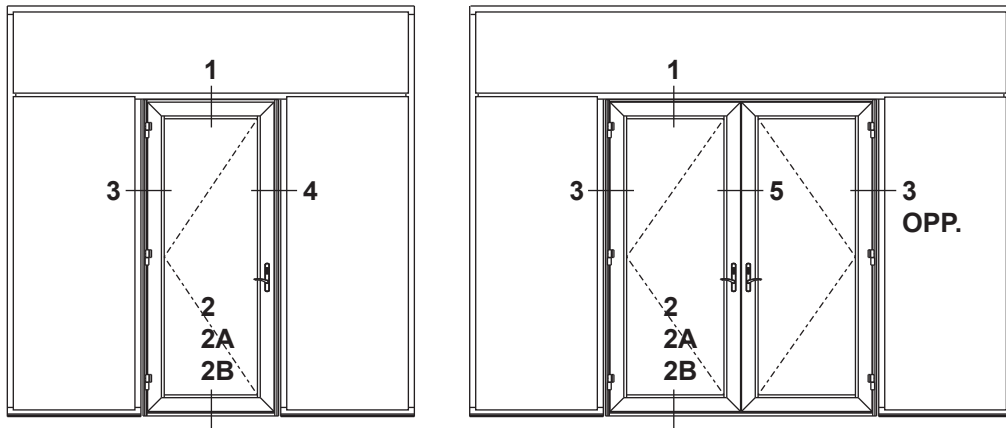


Laws and building and safety codes governing the design and use of Kawneer products, such as glazed entrance, window, and curtain wall products, vary widely. Kawneer does not control the selection of product configurations, operating hardware, or glazing materials, and assumes no responsibility therefor.

Kawneer reserves the right to change configuration without prior notice when deemed necessary for product improvement.  
© 2026, Kawneer Company, Inc.

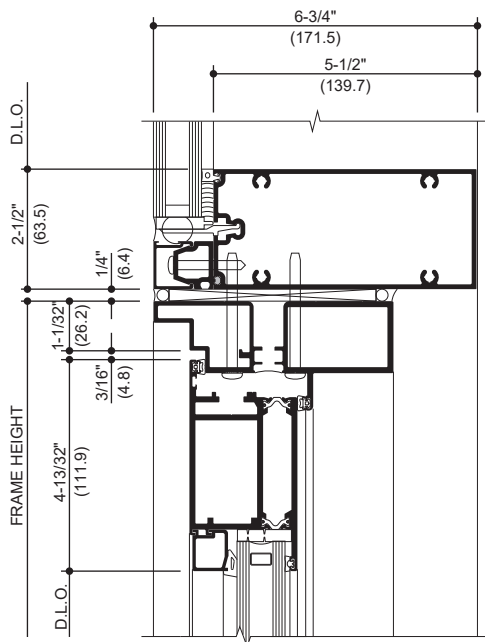
Additional information and CAD details are available at [www.kawneer.com](http://www.kawneer.com)

5-1/2" mullion depth shown, 8" mullion depth similar.

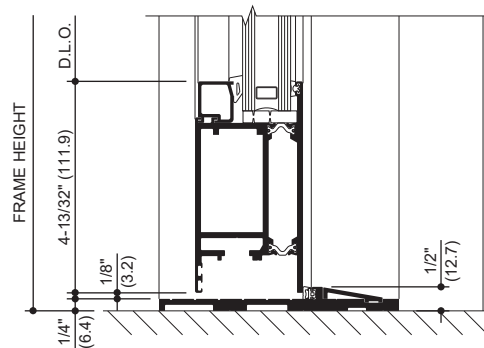


OUTSWING DOORS & FRAME

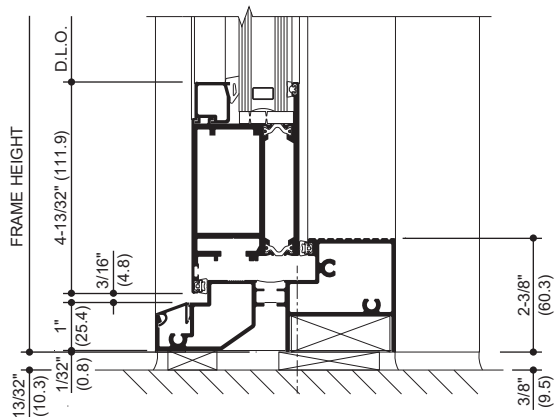
1  
HEAD



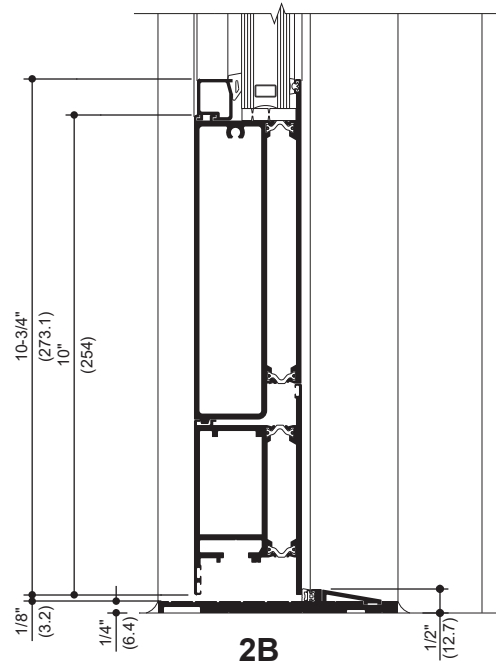
2A  
OPTIONAL  
LOW PROFILE THRESHOLD



2  
THRESHOLD



2B  
OPTIONAL LOW PROFILE THRESHOLD  
WITH 10" BOTTOM RAIL



Laws and building and safety codes governing the design and use of Kawneer products, such as glazed entrance, window, and curtain wall products, vary widely. Kawneer does not control the selection of product configurations, operating hardware, or glazing materials, and assumes no responsibility therefor.

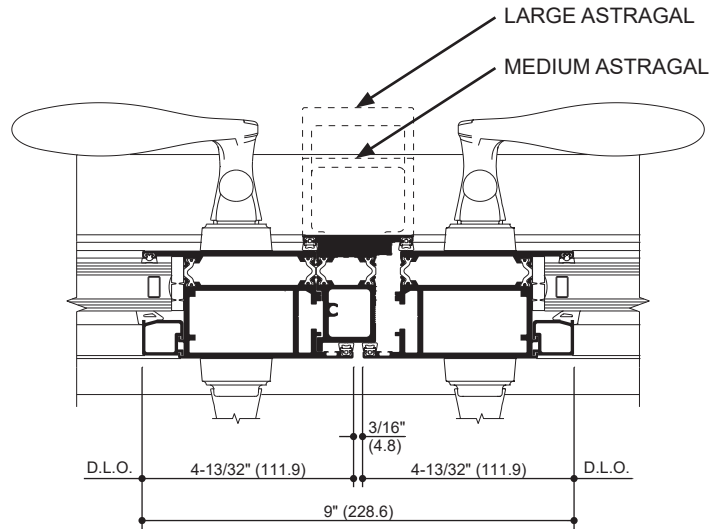
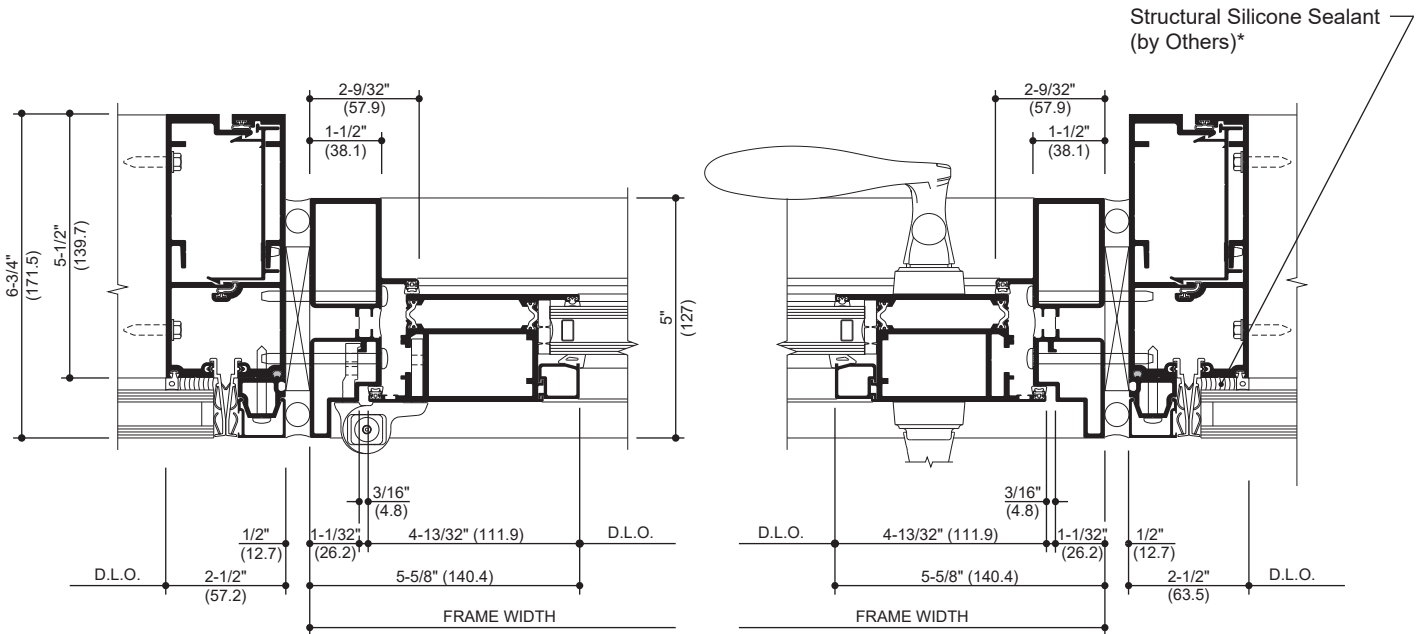
Kawneer reserves the right to change configuration without prior notice when deemed necessary for product improvement.  
© 2026, Kawneer Company, Inc.

Additional information and CAD details are available at [www.kawneer.com](http://www.kawneer.com)

5-1/2" mullion depth shown, 8" mullion depth similar.

Laws and building and safety codes governing the design and use of Kawneer products, such as glazed entrance, window, and curtain wall products, vary widely. Kawneer does not control the selection of product configurations, operating hardware, or glazing materials, and assumes no responsibility therefor.

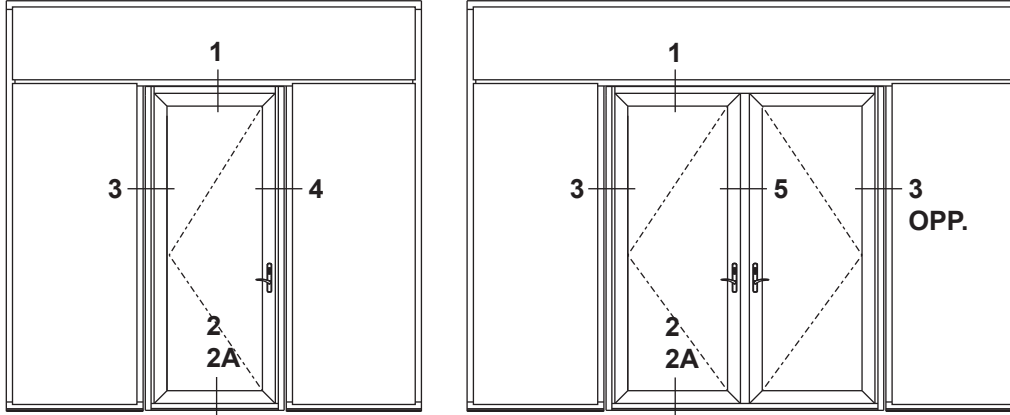
Kawneer reserves the right to change configuration without prior notice when deemed necessary for product improvement.  
© 2026, Kawneer Company, Inc.



\* **INSTALLER NOTE:** Installer is responsible for all required compatibility review and approvals with the Structural Silicone Manufacturer and the Insulating Glass Unit Manufacturer.

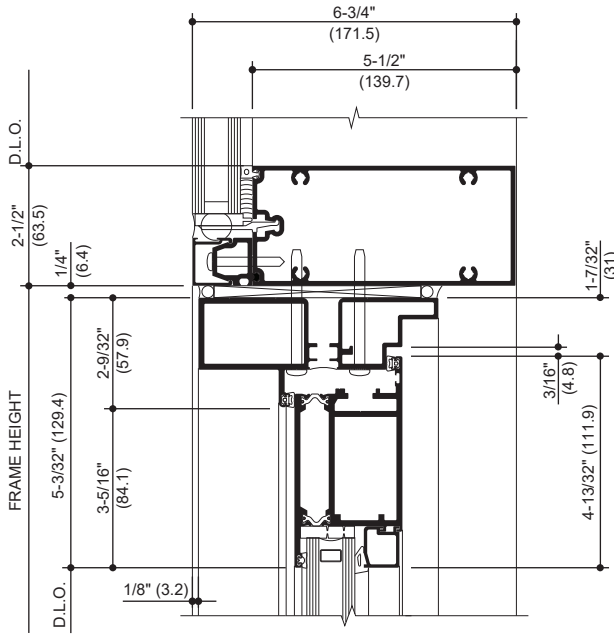
Additional information and CAD details are available at [www.kawneer.com](http://www.kawneer.com)

5-1/2" mullion depth shown, 8" mullion depth similar.

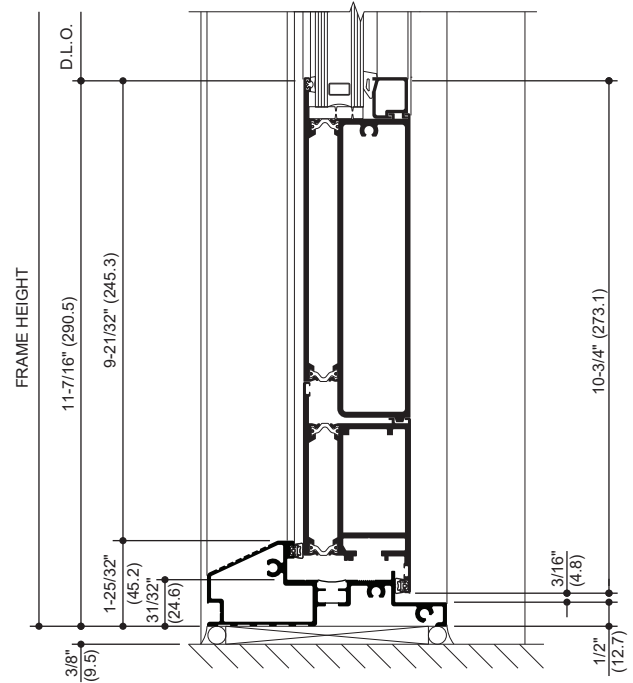
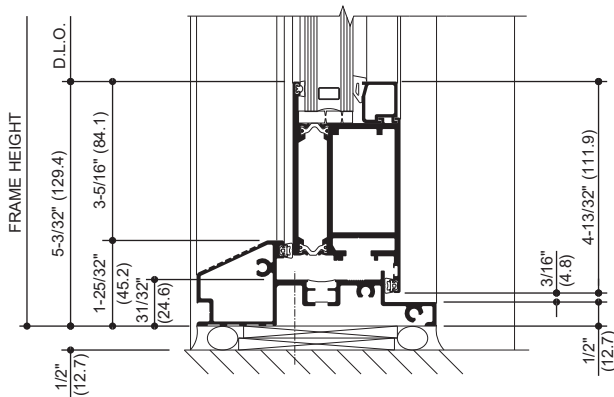


INSWING DOORS & FRAME

1  
HEAD



2  
THRESHOLD



2A  
OPTIONAL THRESHOLD  
WITH 10" BOTTOM RAIL

Laws and building and safety codes governing the design and use of Kawneer products, such as glazed entrance, window, and curtain wall products, vary widely. Kawneer does not control the selection of product configurations, operating hardware, or glazing materials, and assumes no responsibility therefor.

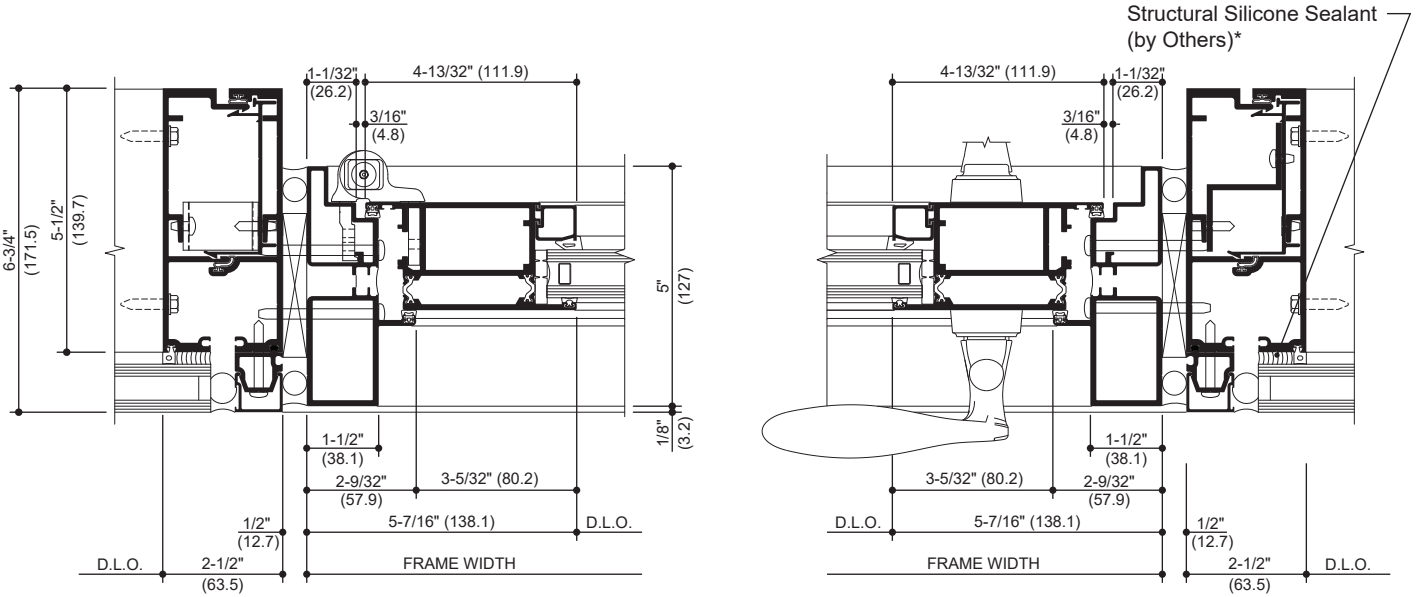
Kawneer reserves the right to change configuration without prior notice when deemed necessary for product improvement.  
© 2026, Kawneer Company, Inc.

Additional information and CAD details are available at [www.kawneer.com](http://www.kawneer.com)

5-1/2" mullion depth shown, 8" mullion depth similar.

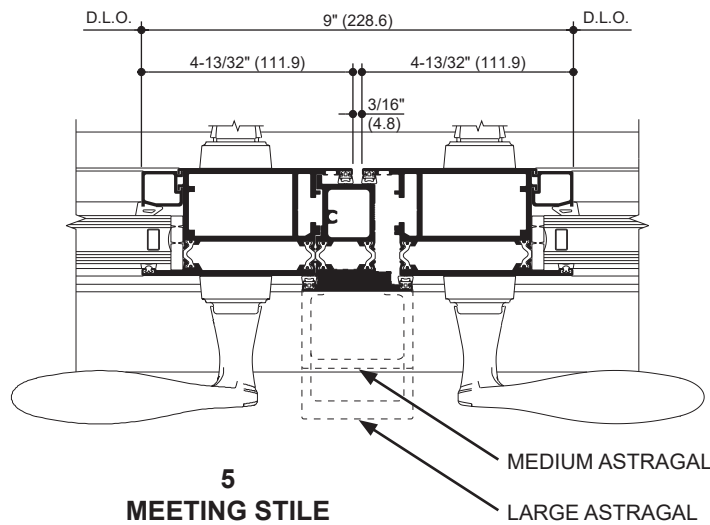
Laws and building and safety codes governing the design and use of Kawneer products, such as glazed entrance, window, and curtain wall products, vary widely. Kawneer does not control the selection of product configurations, operating hardware, or glazing materials, and assumes no responsibility therefor.

Kawneer reserves the right to change configuration without prior notice when deemed necessary for product improvement.  
© 2026, Kawneer Company, Inc.



**3**  
**PIVOT JAMB**

**4**  
**LOCK JAMB**  
**AT DEADBOLT/LATCHLOCK**

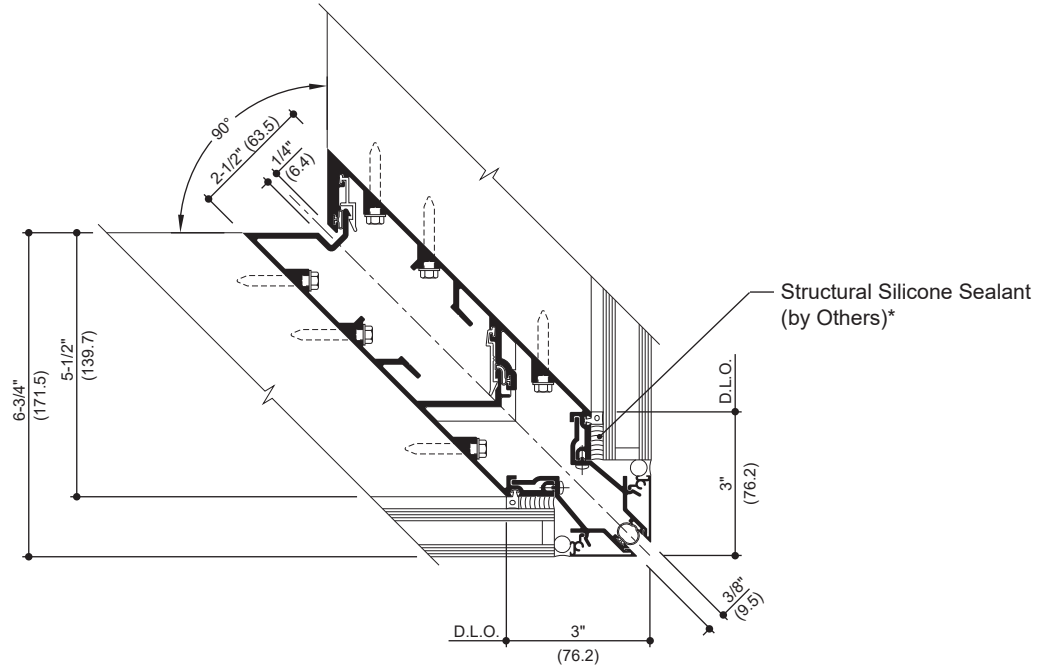


**5**  
**MEETING STILE**

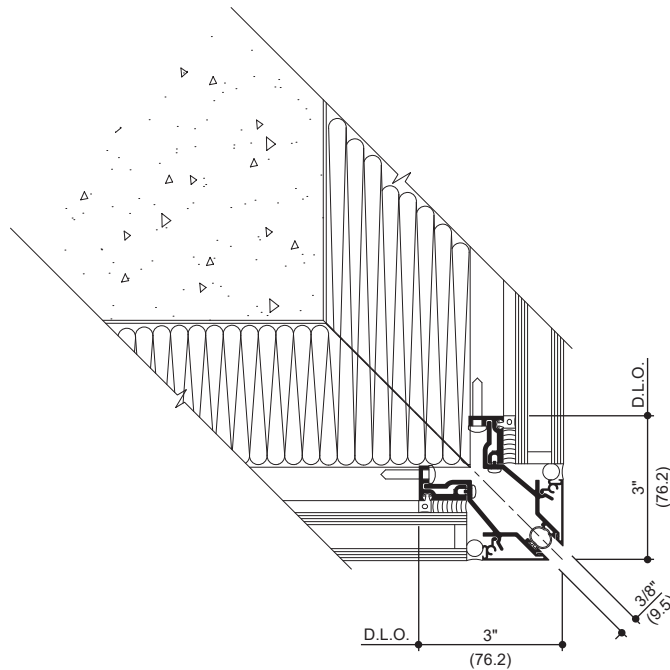
\* **INSTALLER NOTE:** Installer is responsible for all required compatibility review and approvals with the Structural Silicone Manufacturer and the Insulating Glass Unit Manufacturer.

Additional information and CAD details are available at [www.kawneer.com](http://www.kawneer.com)

5-1/2" mullion depth shown, 8" mullion depth similar.



90° OUTSIDE CORNER



90° OUTSIDE CORNER AT SLAB EDGE

Laws and building and safety codes governing the design and use of Kawneer products, such as glazed entrance, window, and curtain wall products, vary widely. Kawneer does not control the selection of product configurations, operating hardware, or glazing materials, and assumes no responsibility therefor.

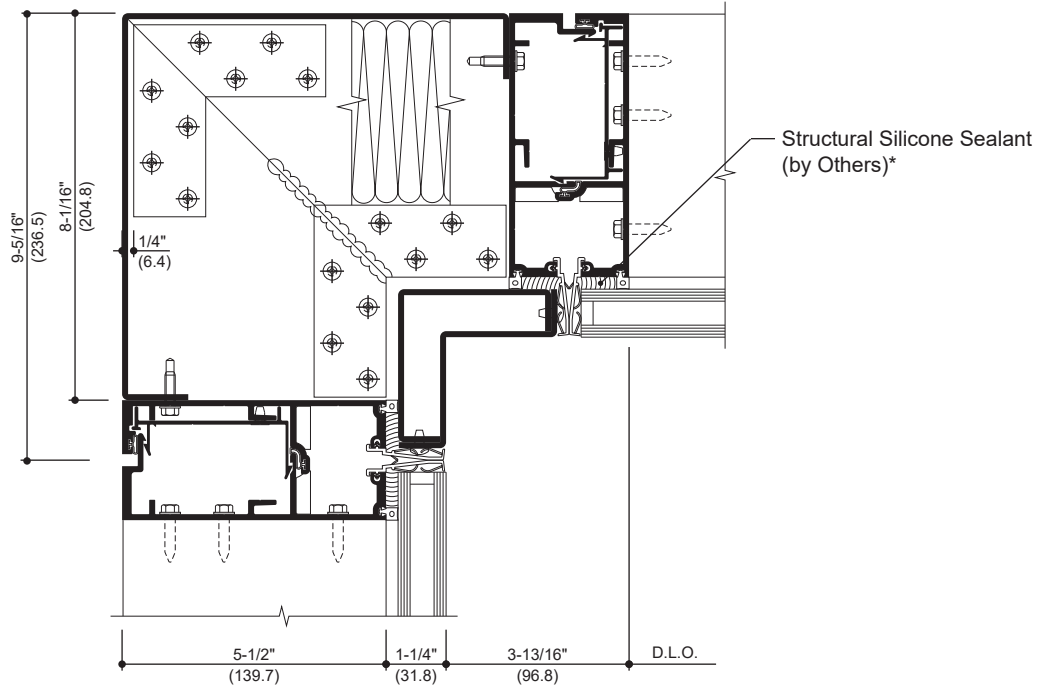
Kawneer reserves the right to change configuration without prior notice when deemed necessary for product improvement.  
© 2026, Kawneer Company, Inc.

\* INSTALLER NOTE: Installer is responsible for all required compatibility review and approvals with the Structural Silicone Manufacturer and the Insulating Glass Unit Manufacturer.

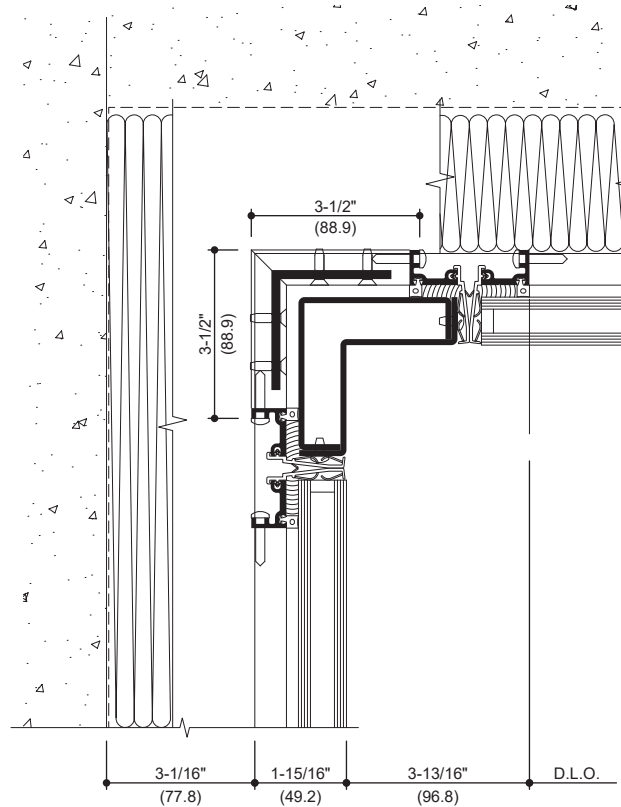
Additional information and CAD details are available at [www.kawneer.com](http://www.kawneer.com)

5-1/2" mullion depth shown, 8" mullion depth similar.

90° INSIDE CORNER



90° INSIDE CORNER AT SLAB EDGE



\* **INSTALLER NOTE:** Installer is responsible for all required compatibility review and approvals with the Structural Silicone Manufacturer and the Insulating Glass Unit Manufacturer.

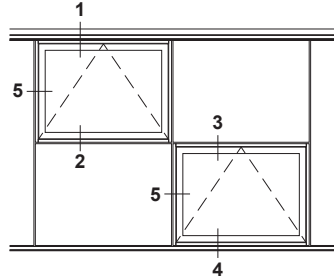
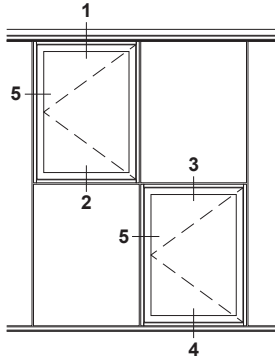
Laws and building and safety codes governing the design and use of Kawneer products, such as glazed entrance, window, and curtain wall products, vary widely. Kawneer does not control the selection of product configurations, operating hardware, or glazing materials, and assumes no responsibility therefor.

Kawneer reserves the right to change configuration without prior notice when deemed necessary for product improvement.  
© 2026, Kawneer Company, Inc.

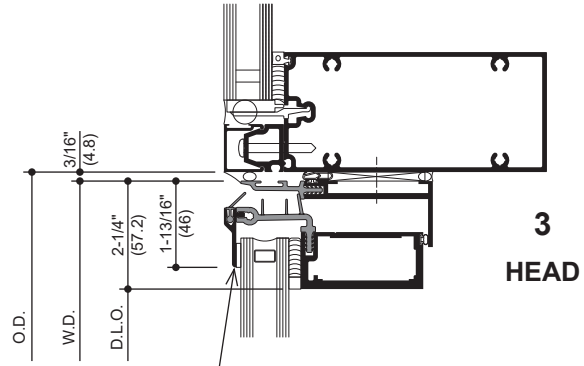
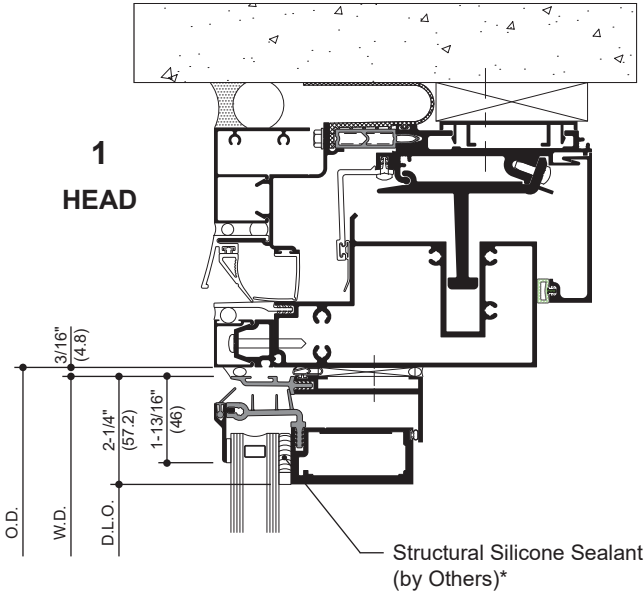
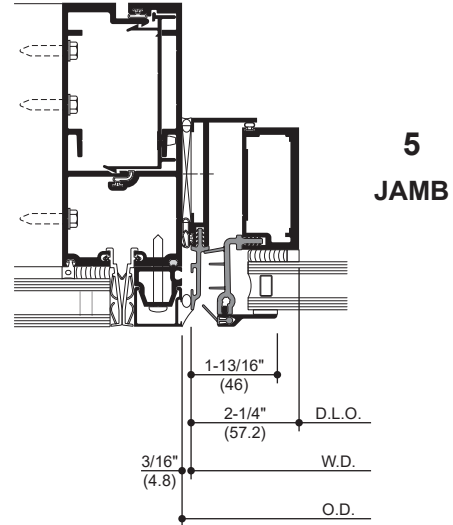
Additional information and CAD details are available at [www.kawneer.com](http://www.kawneer.com)

5-1/2" mullion depth shown, 8" mullion depth similar.

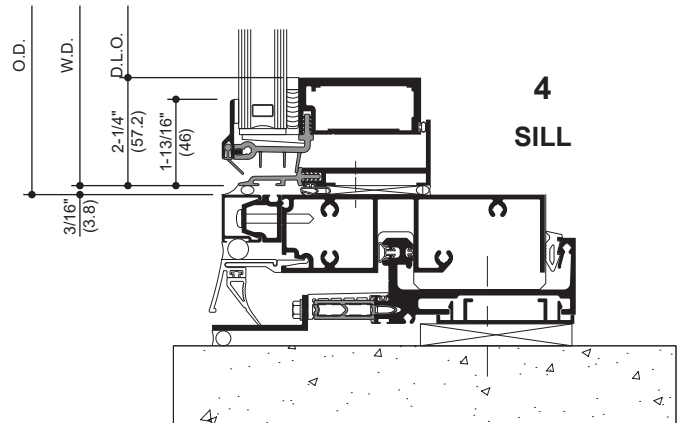
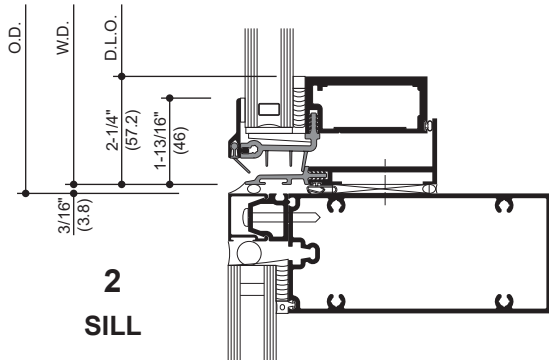
PROJECT-OUT WINDOW SHOWN  
CASEMENT OUTSWING ALSO AVAILABLE



ELEVATION IS NUMBER KEYED TO DETAILS



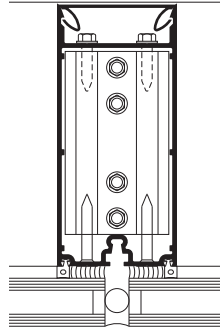
Trim Cover available  
in #29 Black anodized  
finish only



\* INSTALLER NOTE: Installer is responsible for all required compatibility review and approvals with the Structural Silicone Manufacturer and the Insulating Glass Unit Manufacturer.

Additional information and CAD details are available at [www.kawneer.com](http://www.kawneer.com)

5-1/2" mullion depth shown, 8" mullion depth similar.

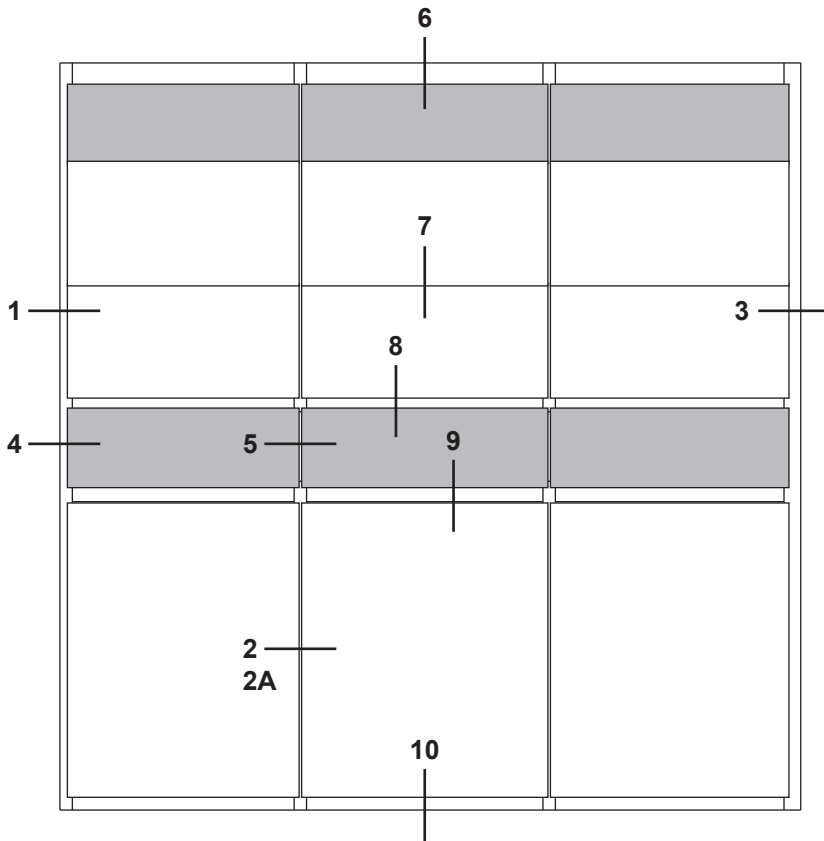


**CRIPPLE MULLION**

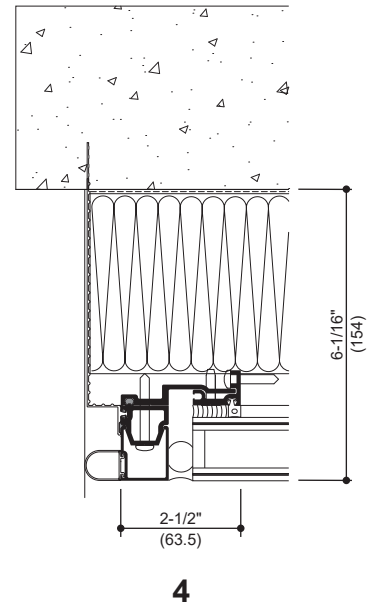
Laws and building and safety codes governing the design and use of Kawneer products, such as glazed entrance, window, and curtain wall products, vary widely. Kawneer does not control the selection of product configurations, operating hardware, or glazing materials, and assumes no responsibility therefor.

Kawneer reserves the right to change configuration without prior notice when deemed necessary for product improvement.  
© 2026, Kawneer Company, Inc.

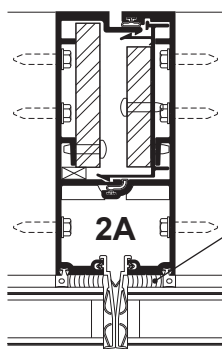
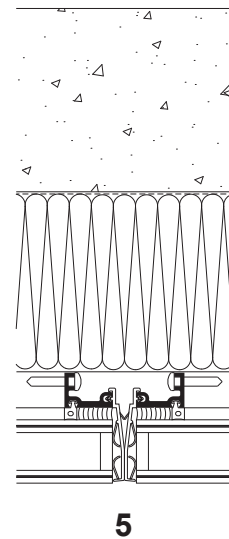
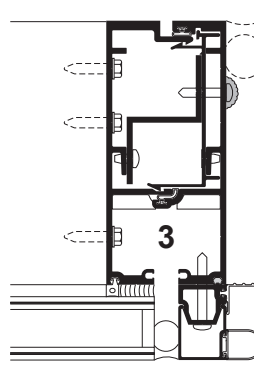
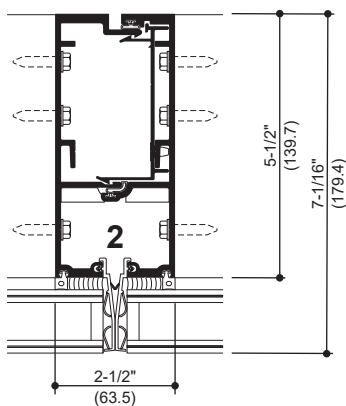
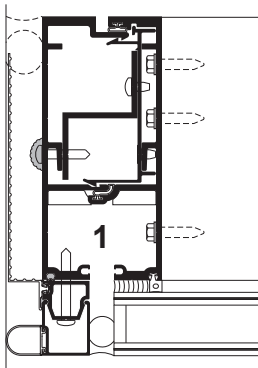
Additional information and CAD details are available at [www.kawneer.com](http://www.kawneer.com)



5-1/2" mullion depth shown,  
8" mullion depth similar.



ELEVATION IS NUMBER KEYED TO DETAILS



OPTIONAL STEEL  
REINFORCING  
AS REQUIRED

Structural Silicone Sealant  
(by Others)\*

\* **INSTALLER NOTE:** Installer is responsible for all required compatibility review and approvals with the Structural Silicone Manufacturer and the Insulating Glass Unit Manufacturer.

Laws and building and safety codes governing the design and use of Kawneer products, such as glazed entrance, window, and curtain wall products, vary widely. Kawneer does not control the selection of product configurations, operating hardware, or glazing materials, and assumes no responsibility therefor.

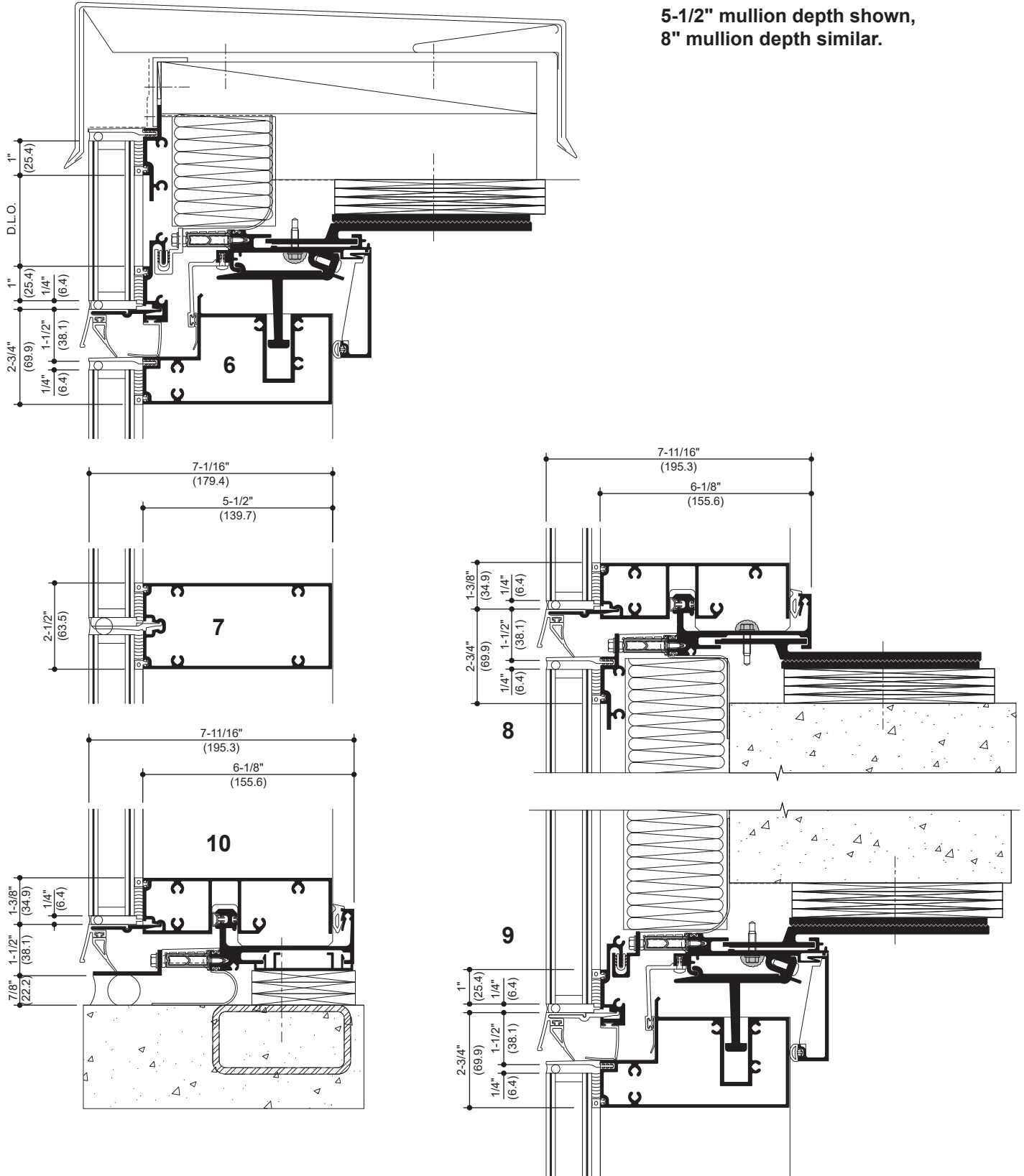
Kawneer reserves the right to change configuration without prior notice when deemed necessary for product improvement.  
© 2026, Kawneer Company, Inc.

Additional information and CAD details are available at [www.kawneer.com](http://www.kawneer.com)

5-1/2" mullion depth shown,  
8" mullion depth similar.

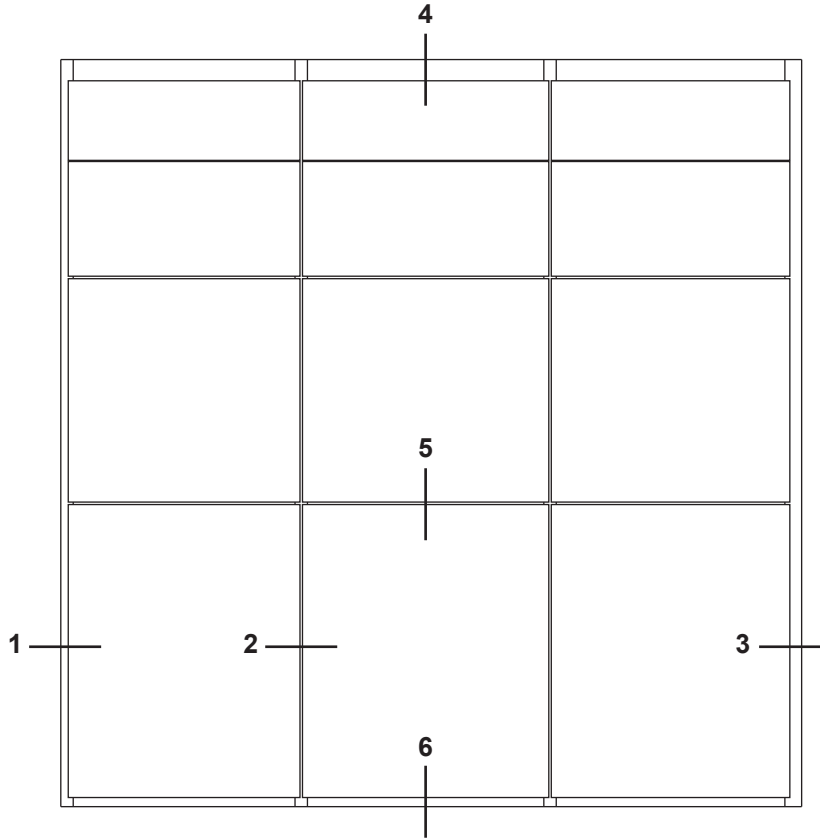
Laws and building and safety codes governing the design and use of Kawneer products, such as glazed entrance, window, and curtain wall products, vary widely. Kawneer does not control the selection of product configurations, operating hardware, or glazing materials, and assumes no responsibility therefor.

Kawneer reserves the right to change configuration without prior notice when deemed necessary for product improvement.  
© 2026, Kawneer Company, Inc.

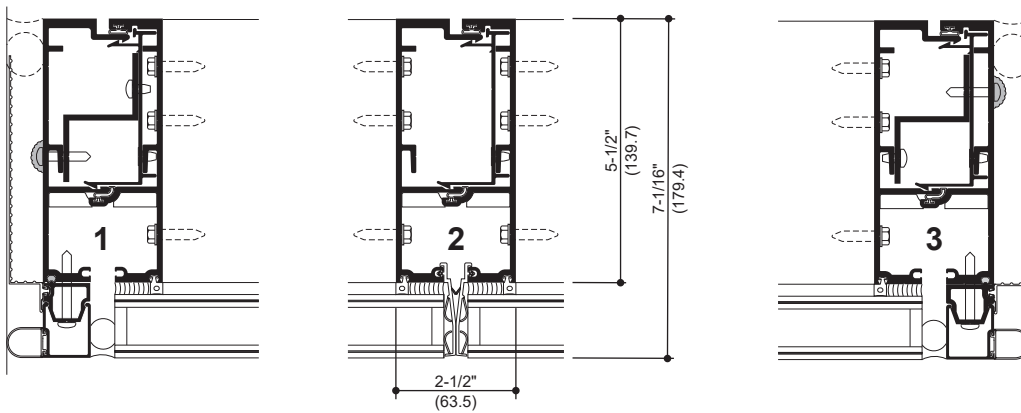


Additional information and CAD details are available at [www.kawneer.com](http://www.kawneer.com)

5-1/2" mullion depth shown,  
8" mullion depth similar.



ELEVATION IS NUMBER KEYED TO DETAILS



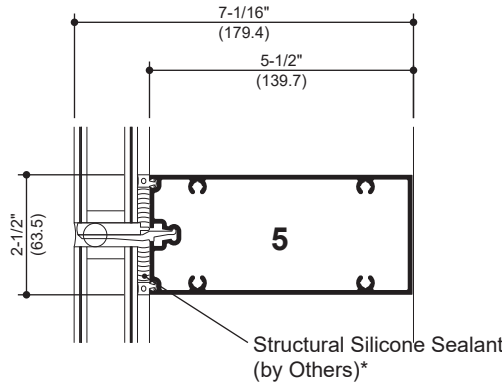
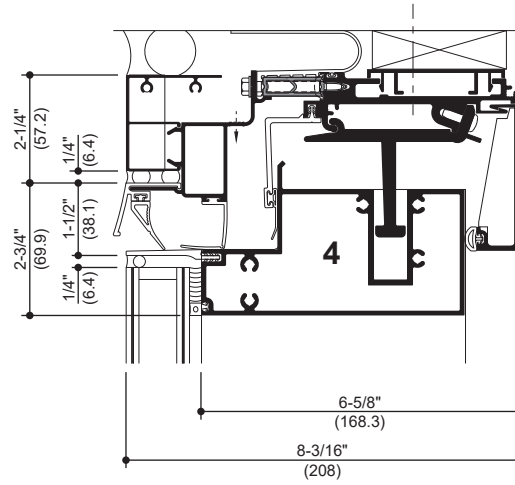
Laws and building and safety codes governing the design and use of Kawneer products, such as glazed entrance, window, and curtain wall products, vary widely. Kawneer does not control the selection of product configurations, operating hardware, or glazing materials, and assumes no responsibility therefor.

Kawneer reserves the right to change configuration without prior notice when deemed necessary for product improvement.

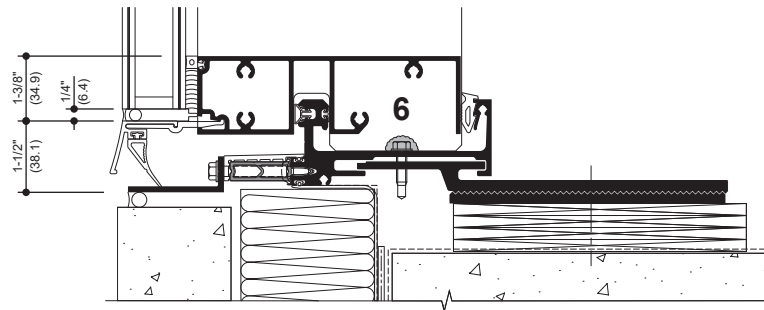
© 2026, Kawneer Company, Inc.

Additional information and CAD details are available at [www.kawneer.com](http://www.kawneer.com)

5-1/2" mullion depth shown,  
8" mullion depth similar.



\* **INSTALLER NOTE:** Installer is responsible for all required compatibility review and approvals with the Structural Silicone Manufacturer and the Insulating Glass Unit Manufacturer.

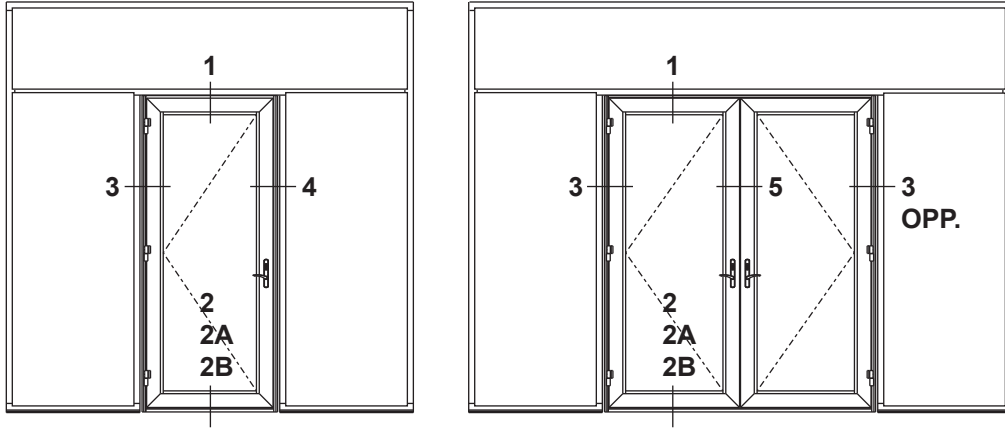


Laws and building and safety codes governing the design and use of Kawneer products, such as glazed entrance, window, and curtain wall products, vary widely. Kawneer does not control the selection of product configurations, operating hardware, or glazing materials, and assumes no responsibility therefor.

Kawneer reserves the right to change configuration without prior notice when deemed necessary for product improvement.  
© 2026, Kawneer Company, Inc.

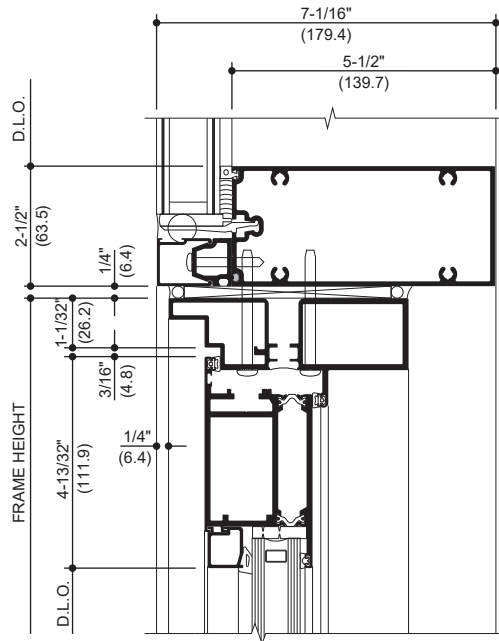
Additional information and CAD details are available at [www.kawneer.com](http://www.kawneer.com)

5-1/2" mullion depth shown, 8" mullion depth similar.

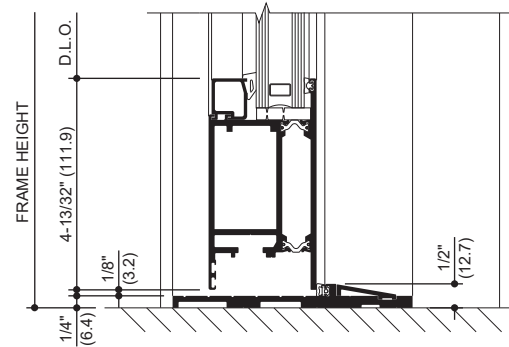


OUTSWING DOORS & FRAME

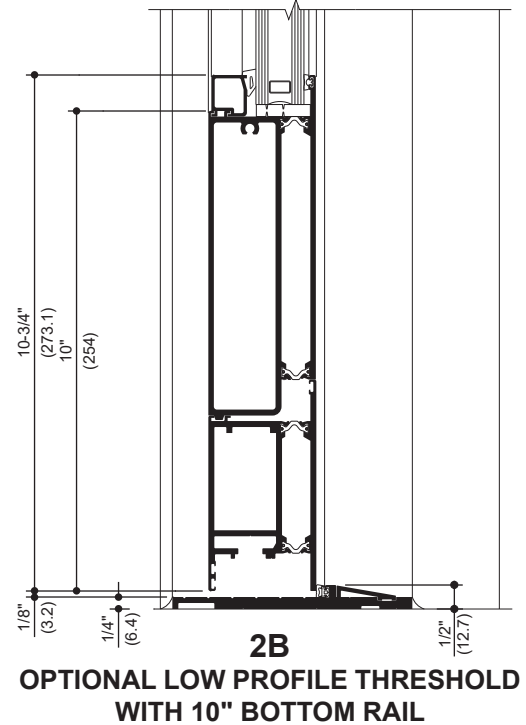
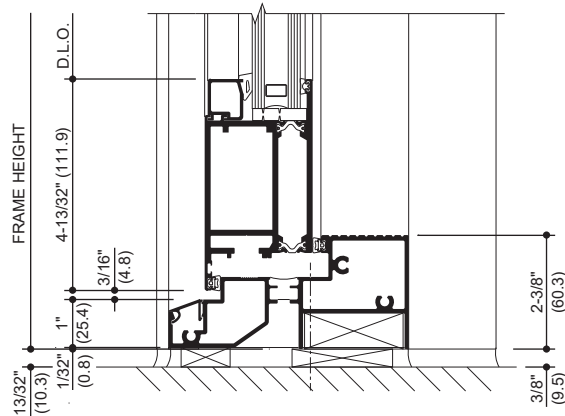
1  
HEAD



2A  
OPTIONAL  
LOW PROFILE THRESHOLD



2  
THRESHOLD



2B  
OPTIONAL LOW PROFILE THRESHOLD  
WITH 10" BOTTOM RAIL

Laws and building and safety codes governing the design and use of Kawneer products, such as glazed entrance, window, and curtain wall products, vary widely. Kawneer does not control the selection of product configurations, operating hardware, or glazing materials, and assumes no responsibility therefor.

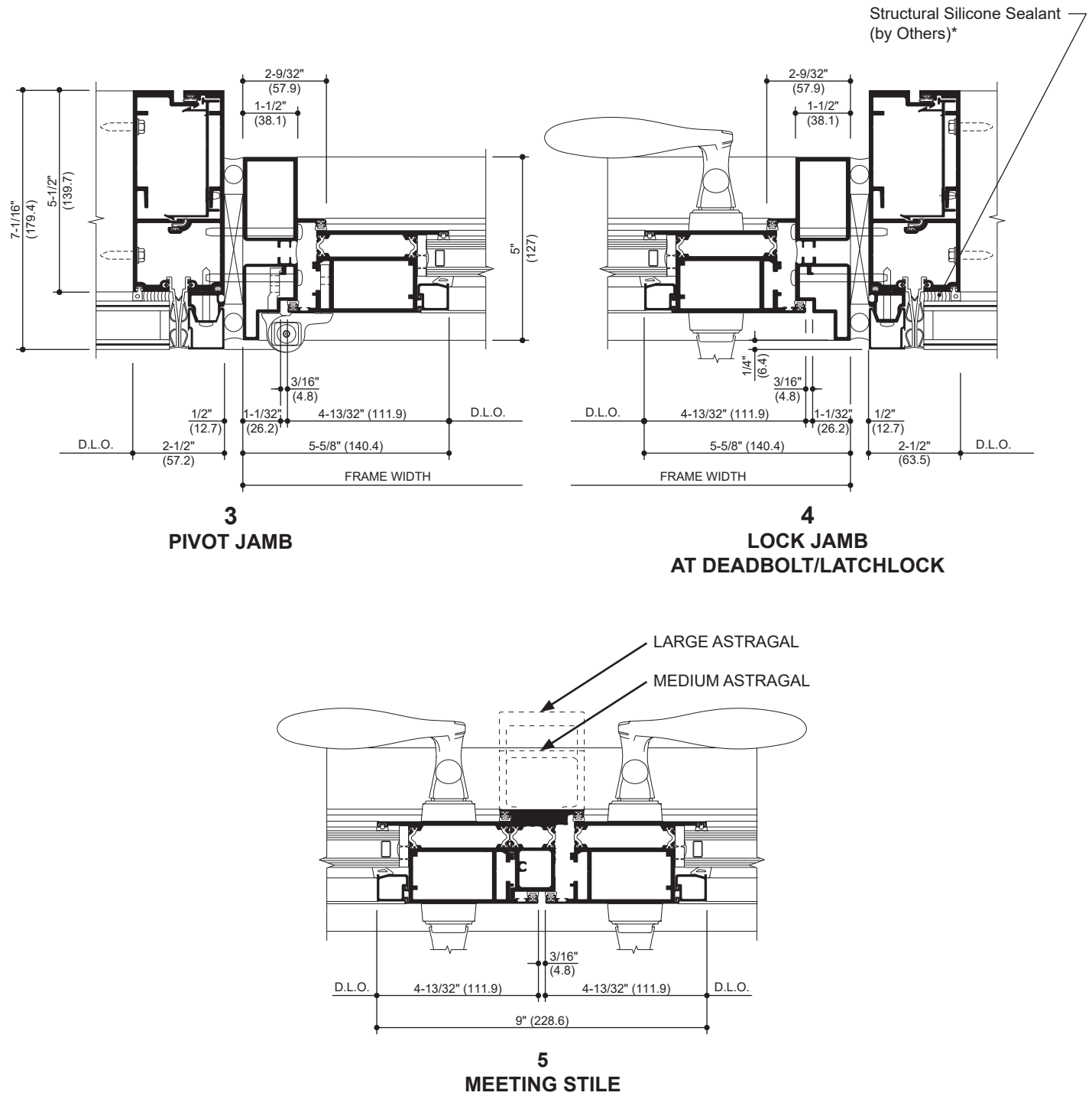
Kawneer reserves the right to change configuration without prior notice when deemed necessary for product improvement.  
© 2026, Kawneer Company, Inc.

Additional information and CAD details are available at [www.kawneer.com](http://www.kawneer.com)

5-1/2" mullion depth shown, 8" mullion depth similar.

Laws and building and safety codes governing the design and use of Kawneer products, such as glazed entrance, window, and curtain wall products, vary widely. Kawneer does not control the selection of product configurations, operating hardware, or glazing materials, and assumes no responsibility therefor.

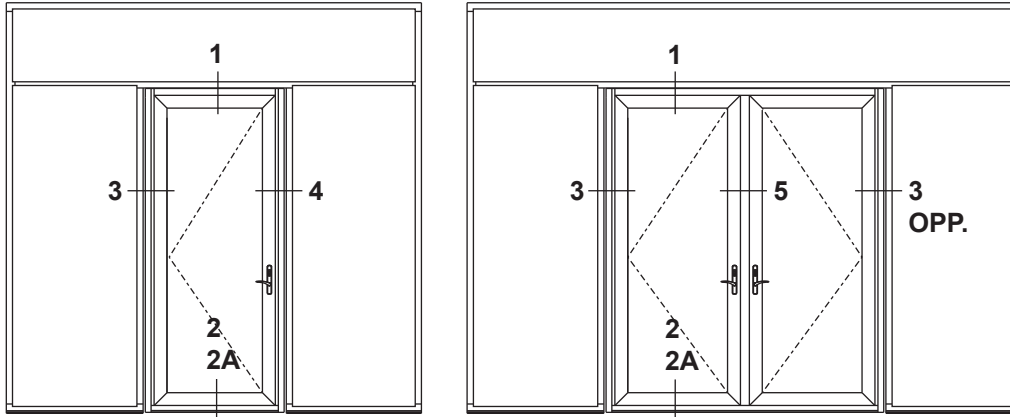
Kawneer reserves the right to change configuration without prior notice when deemed necessary for product improvement.  
© 2026, Kawneer Company, Inc.



\* **INSTALLER NOTE:** Installer is responsible for all required compatibility review and approvals with the Structural Silicone Manufacturer and the Insulating Glass Unit Manufacturer.

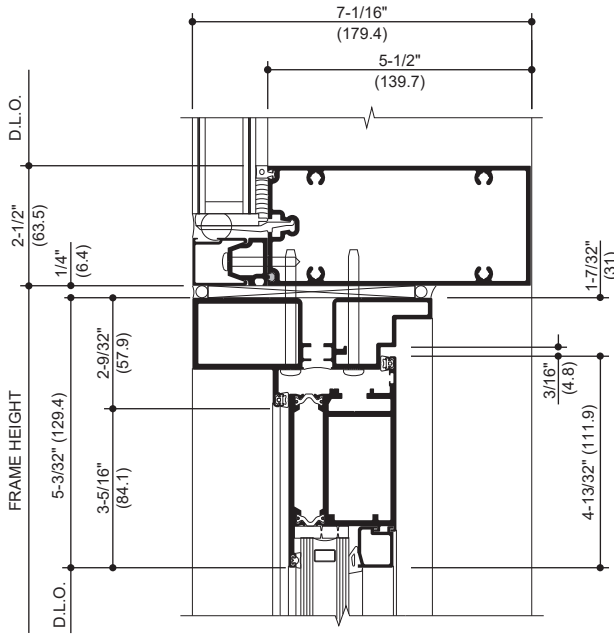
Additional information and CAD details are available at [www.kawneer.com](http://www.kawneer.com)

5-1/2" mullion depth shown, 8" mullion depth similar.

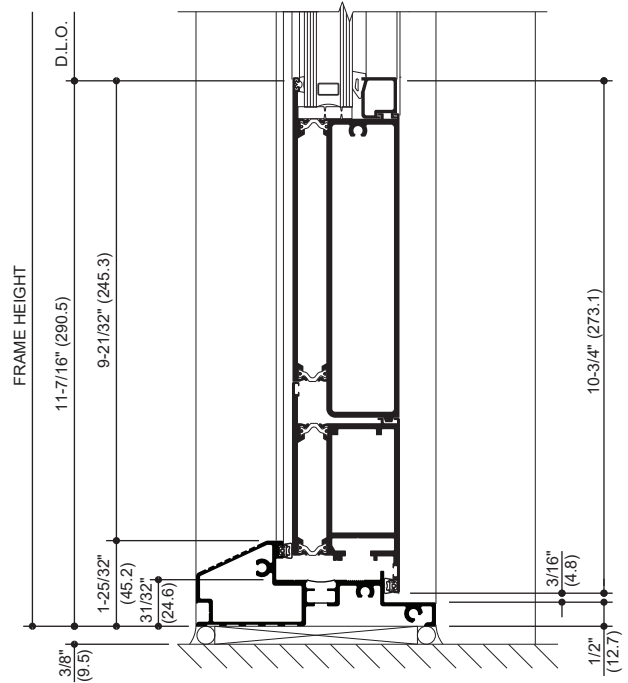
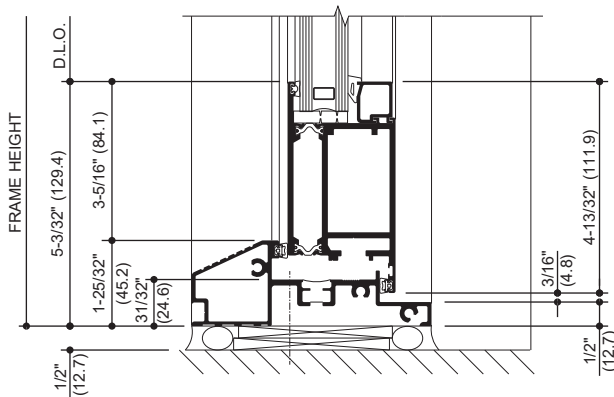


INSWING DOORS & FRAME

1  
HEAD



2  
THRESHOLD



2A  
OPTIONAL THRESHOLD  
WITH 10" BOTTOM RAIL

Laws and building and safety codes governing the design and use of Kawneer products, such as glazed entrance, window, and curtain wall products, vary widely. Kawneer does not control the selection of product configurations, operating hardware, or glazing materials, and assumes no responsibility therefor.

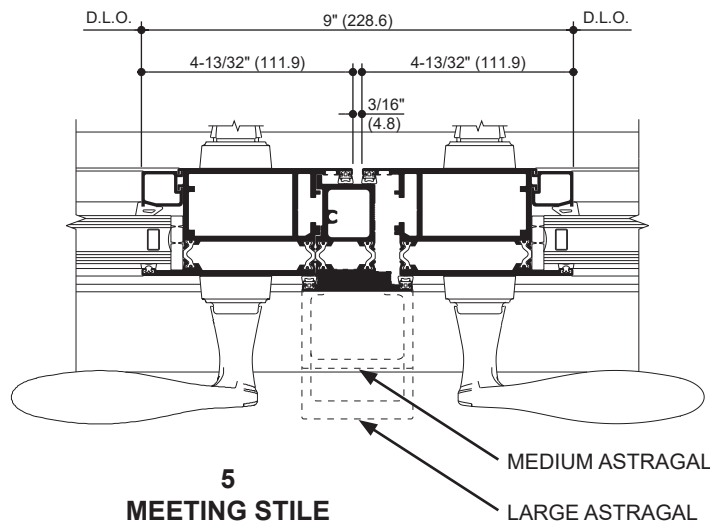
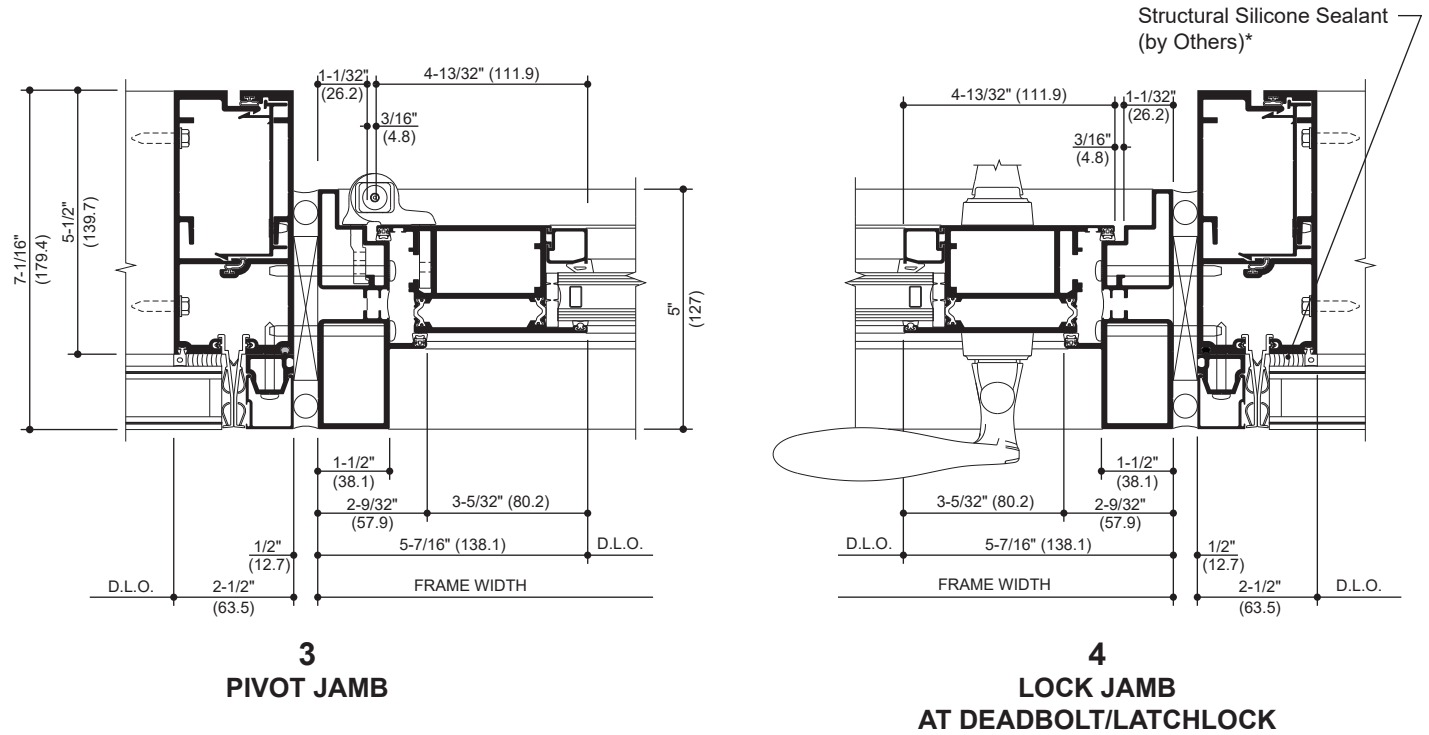
Kawneer reserves the right to change configuration without prior notice when deemed necessary for product improvement.  
© 2026, Kawneer Company, Inc.

Additional information and CAD details are available at [www.kawneer.com](http://www.kawneer.com)

5-1/2" mullion depth shown, 8" mullion depth similar.

Laws and building and safety codes governing the design and use of Kawneer products, such as glazed entrance, window, and curtain wall products, vary widely. Kawneer does not control the selection of product configurations, operating hardware, or glazing materials, and assumes no responsibility therefor.

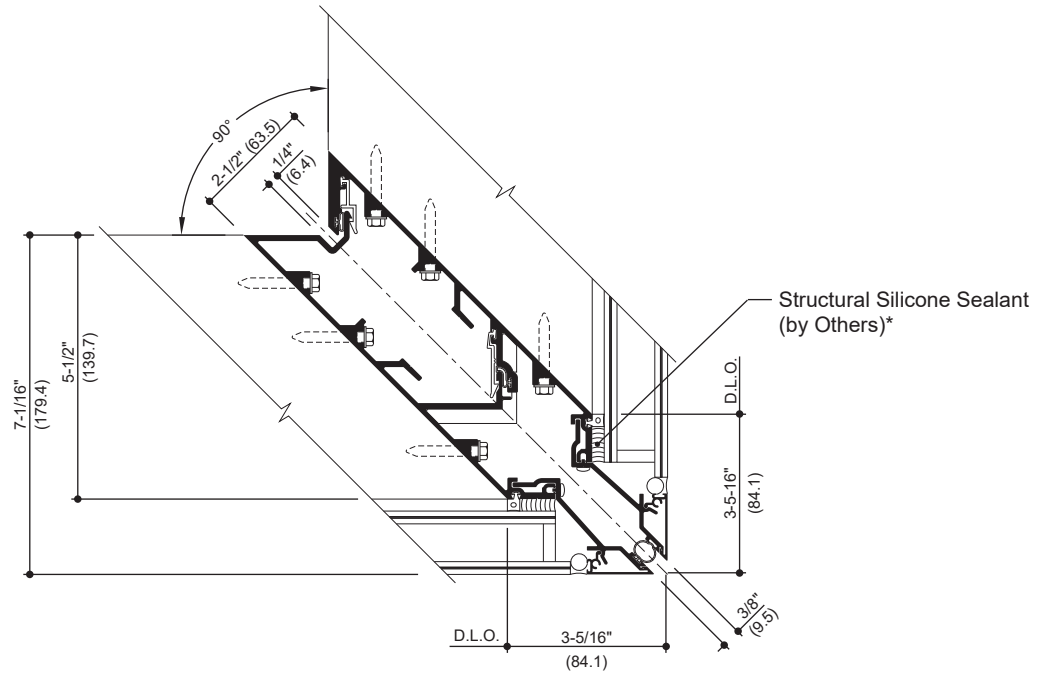
Kawneer reserves the right to change configuration without prior notice when deemed necessary for product improvement.  
© 2026, Kawneer Company, Inc.



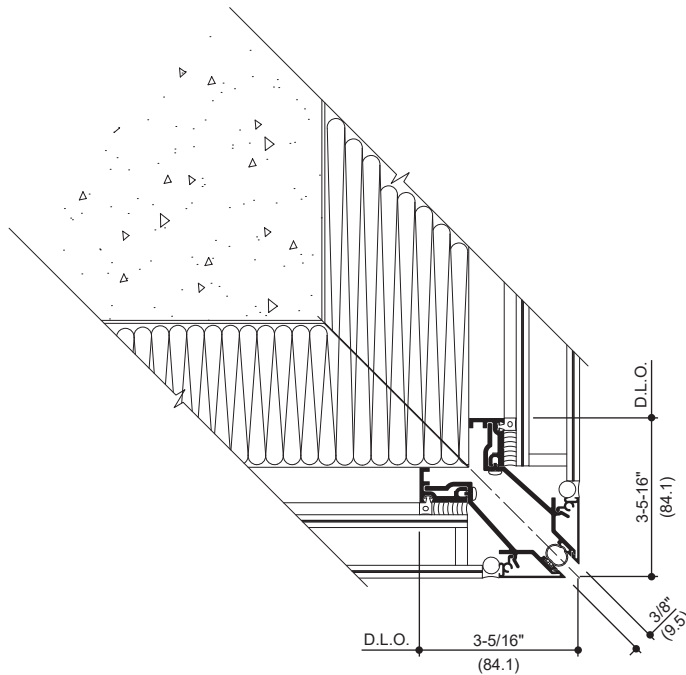
\* INSTALLER NOTE: Installer is responsible for all required compatibility review and approvals with the Structural Silicone Manufacturer and the Insulating Glass Unit Manufacturer.

Additional information and CAD details are available at [www.kawneer.com](http://www.kawneer.com)

5-1/2" mullion depth shown, 8" mullion depth similar.



90° OUTSIDE CORNER



90° OUTSIDE CORNER AT SLAB EDGE

Laws and building and safety codes governing the design and use of Kawneer products, such as glazed entrance, window, and curtain wall products, vary widely. Kawneer does not control the selection of product configurations, operating hardware, or glazing materials, and assumes no responsibility therefor.

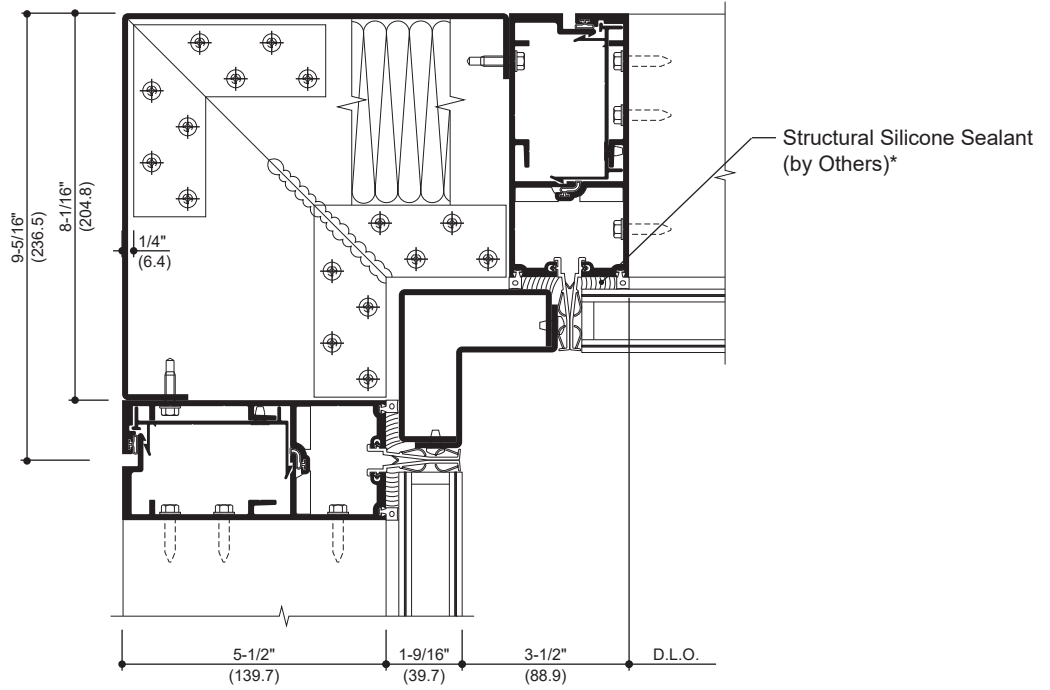
Kawneer reserves the right to change configuration without prior notice when deemed necessary for product improvement.  
© 2026, Kawneer Company, Inc.

\* INSTALLER NOTE: Installer is responsible for all required compatibility review and approvals with the Structural Silicone Manufacturer and the Insulating Glass Unit Manufacturer.

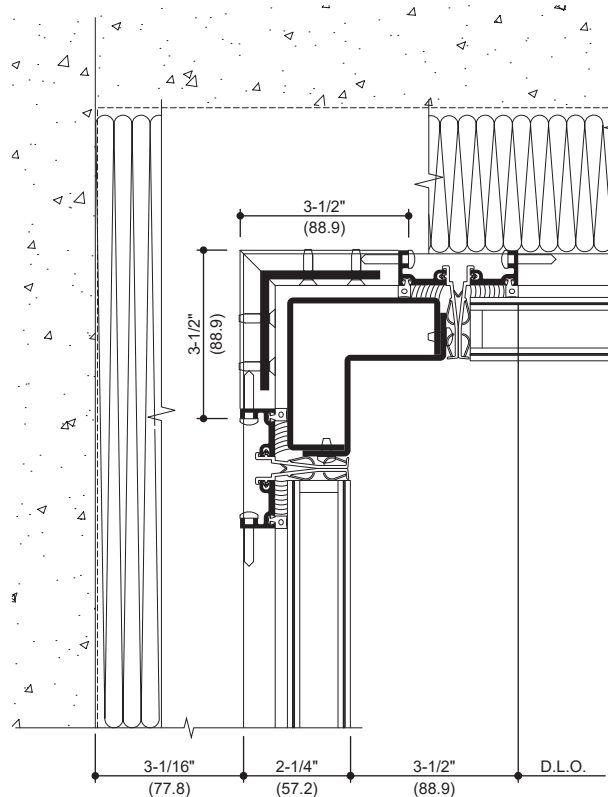
Additional information and CAD details are available at [www.kawneer.com](http://www.kawneer.com)

5-1/2" mullion depth shown, 8" mullion depth similar.

90° INSIDE CORNER



90° INSIDE CORNER AT SLAB EDGE



\* **INSTALLER NOTE:** Installer is responsible for all required compatibility review and approvals with the Structural Silicone Manufacturer and the Insulating Glass Unit Manufacturer.

Laws and building and safety codes governing the design and use of Kawneer products, such as glazed entrance, window, and curtain wall products, vary widely. Kawneer does not control the selection of product configurations, operating hardware, or glazing materials, and assumes no responsibility therefor.

Kawneer reserves the right to change configuration without prior notice when deemed necessary for product improvement.  
© 2026, Kawneer Company, Inc.

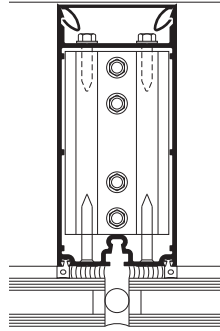
**LEFT BLANK  
INTENTIONALLY**

Laws and building and safety codes governing the design and use of Kawneer products, such as glazed entrance, window, and curtain wall products, vary widely. Kawneer does not control the selection of product configurations, operating hardware, or glazing materials, and assumes no responsibility therefor.

Kawneer reserves the right to change configuration without prior notice when deemed necessary for product improvement.  
© 2026, Kawneer Company, Inc.

Additional information and CAD details are available at [www.kawneer.com](http://www.kawneer.com)

5-1/2" mullion depth shown, 8" mullion depth similar.

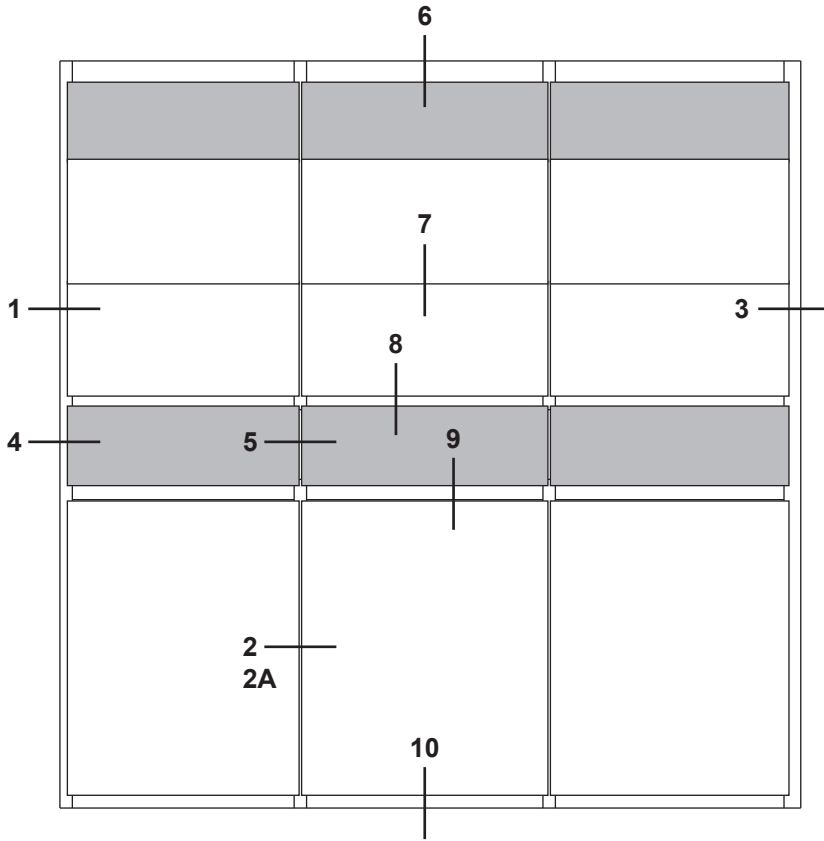


**CRIPPLE MULLION**

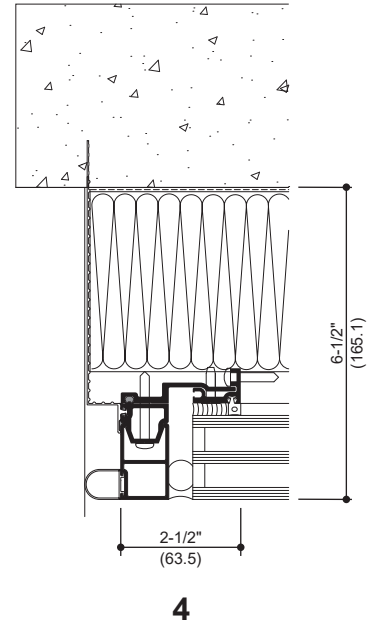
Laws and building and safety codes governing the design and use of Kawneer products, such as glazed entrance, window, and curtain wall products, vary widely. Kawneer does not control the selection of product configurations, operating hardware, or glazing materials, and assumes no responsibility therefor.

Kawneer reserves the right to change configuration without prior notice when deemed necessary for product improvement.  
© 2026, Kawneer Company, Inc.

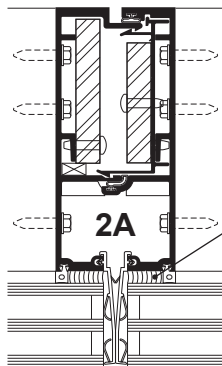
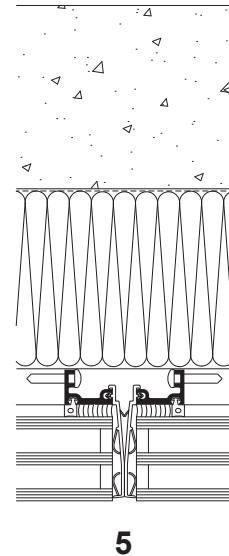
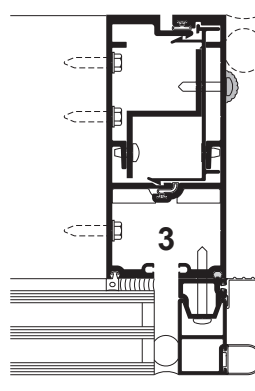
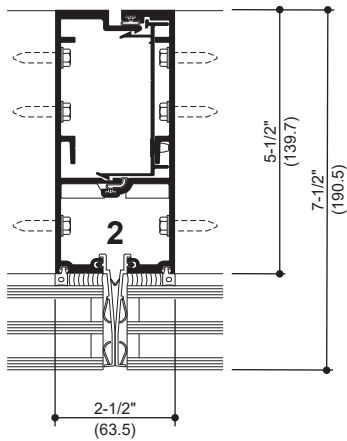
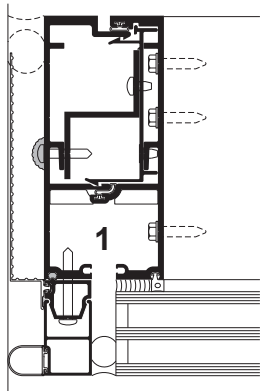
Additional information and CAD details are available at [www.kawneer.com](http://www.kawneer.com)



5-1/2" mullion depth shown,  
8" mullion depth similar.



ELEVATION IS NUMBER KEYED TO DETAILS



OPTIONAL STEEL  
REINFORCING  
AS REQUIRED

Structural Silicone Sealant  
(by Others)\*

\* **INSTALLER NOTE:** Installer is responsible for all required compatibility review and approvals with the Structural Silicone Manufacturer and the Insulating Glass Unit Manufacturer.

Laws and building and safety codes governing the design and use of Kawneer products, such as glazed entrance, window, and curtain wall products, vary widely. Kawneer does not control the selection of product configurations, operating hardware, or glazing materials, and assumes no responsibility therefor.

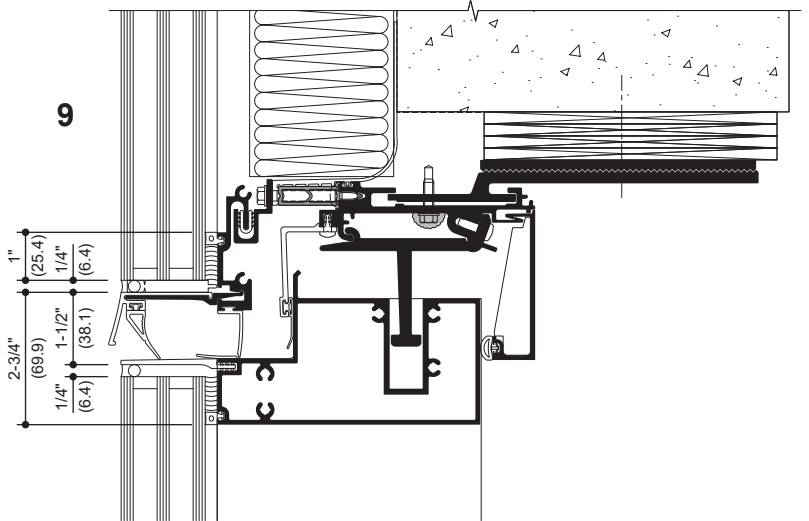
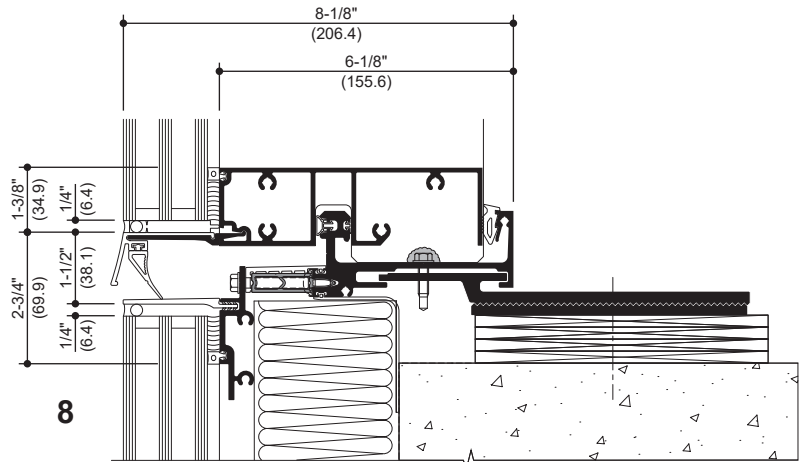
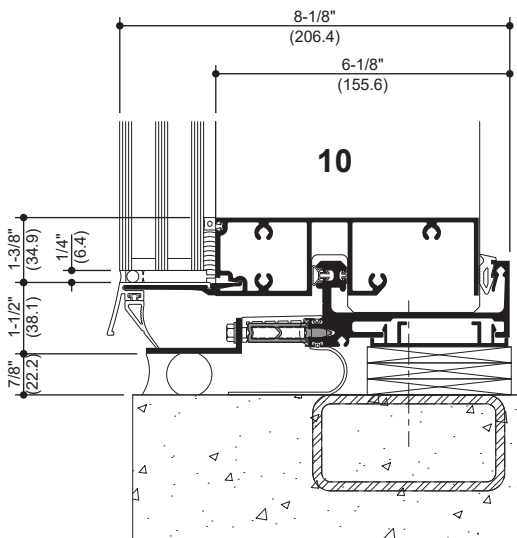
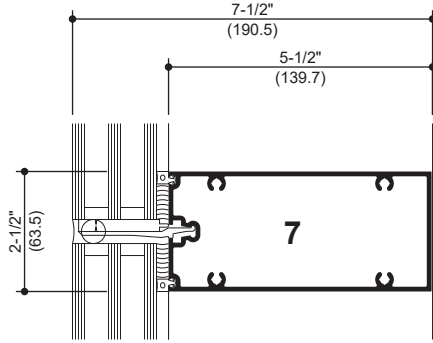
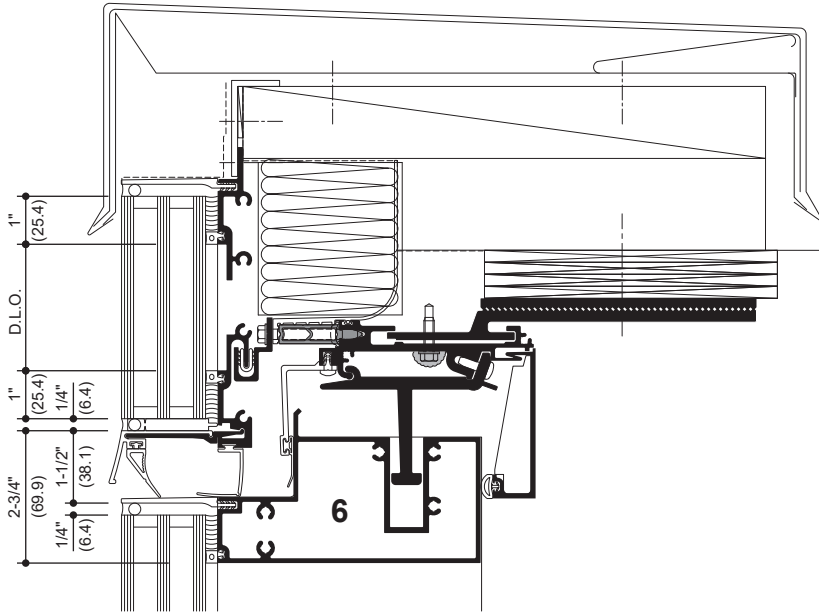
Kawneer reserves the right to change configuration without prior notice when deemed necessary for product improvement.  
© 2026, Kawneer Company, Inc.

Additional information and CAD details are available at [www.kawneer.com](http://www.kawneer.com)

5-1/2" mullion depth shown,  
8" mullion depth similar.

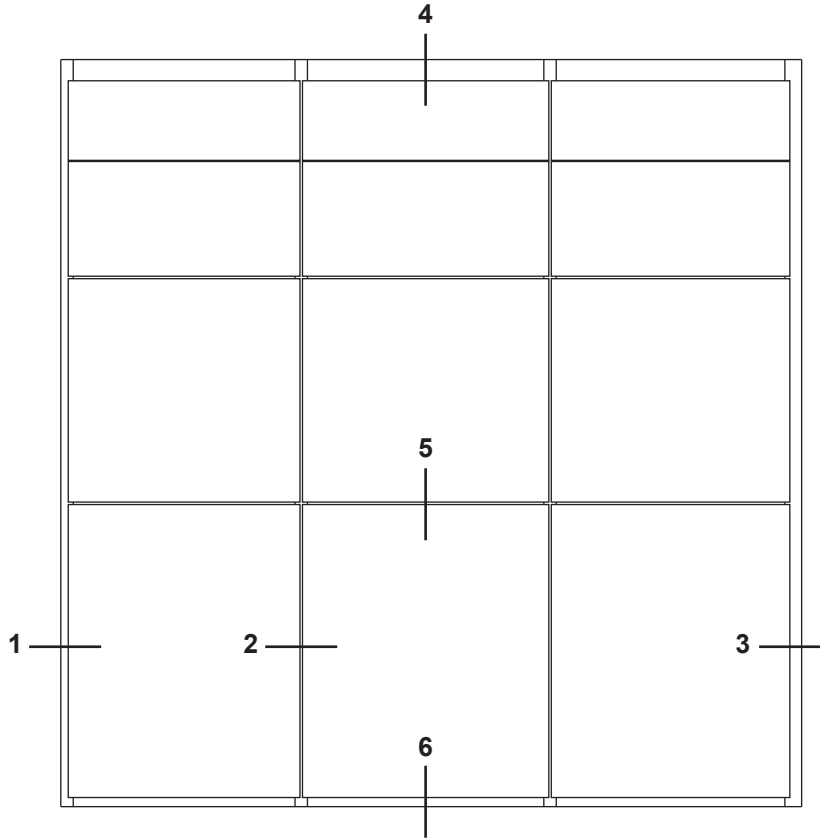
Laws and building and safety codes governing the design and use of Kawneer products, such as glazed entrance, window, and curtain wall products, vary widely. Kawneer does not control the selection of product configurations, operating hardware, or glazing materials, and assumes no responsibility therefor.

Kawneer reserves the right to change configuration without prior notice when deemed necessary for product improvement.  
© 2026, Kawneer Company, Inc.

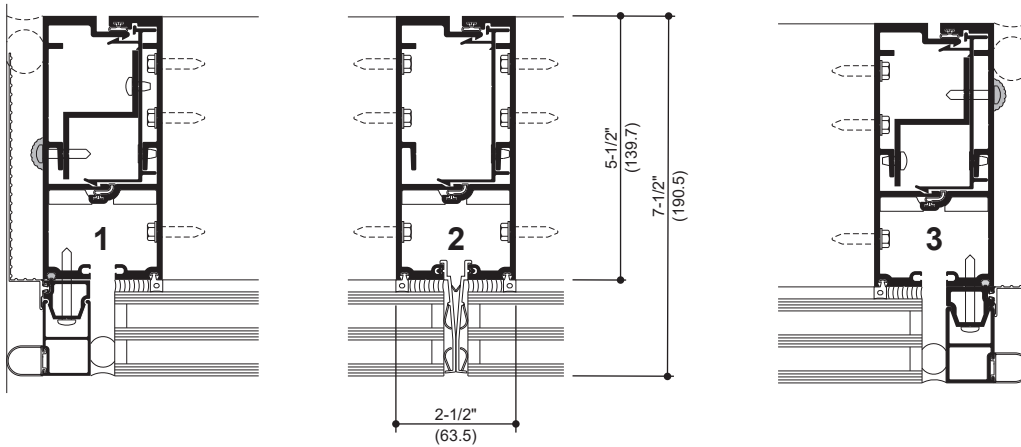


Additional information and CAD details are available at [www.kawneer.com](http://www.kawneer.com)

5-1/2" mullion depth shown,  
8" mullion depth similar.



ELEVATION IS NUMBER KEYED TO DETAILS



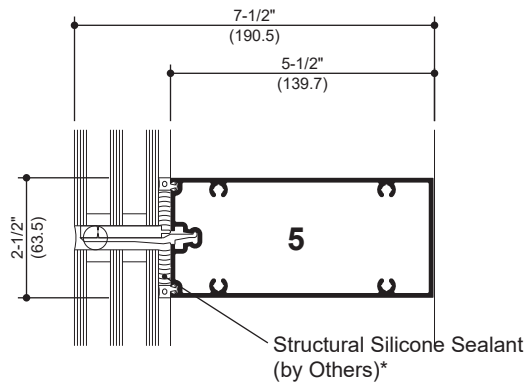
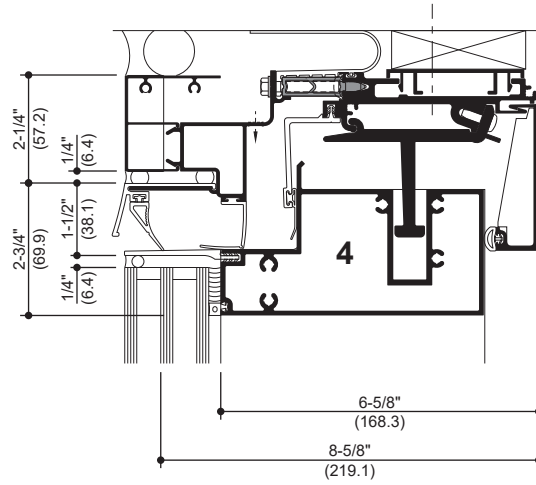
Laws and building and safety codes governing the design and use of Kawneer products, such as glazed entrance, window, and curtain wall products, vary widely. Kawneer does not control the selection of product configurations, operating hardware, or glazing materials, and assumes no responsibility therefor.

Kawneer reserves the right to change configuration without prior notice when deemed necessary for product improvement.

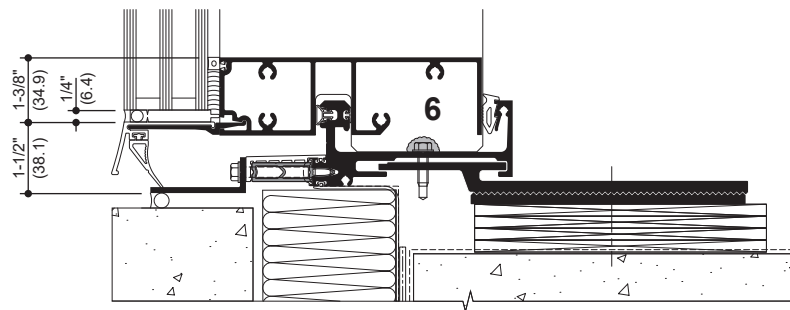
© 2026, Kawneer Company, Inc.

Additional information and CAD details are available at [www.kawneer.com](http://www.kawneer.com)

5-1/2" mullion depth shown,  
8" mullion depth similar.



\* **INSTALLER NOTE:** Installer is responsible for all required compatibility review and approvals with the Structural Silicone Manufacturer and the Insulating Glass Unit Manufacturer.

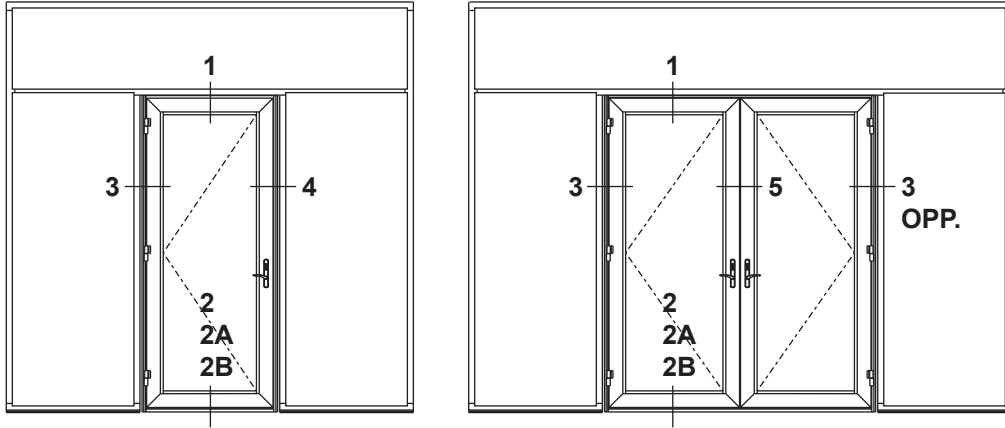


Laws and building and safety codes governing the design and use of Kawneer products, such as glazed entrance, window, and curtain wall products, vary widely. Kawneer does not control the selection of product configurations, operating hardware, or glazing materials, and assumes no responsibility therefor.

Kawneer reserves the right to change configuration without prior notice when deemed necessary for product improvement.  
© 2026, Kawneer Company, Inc.

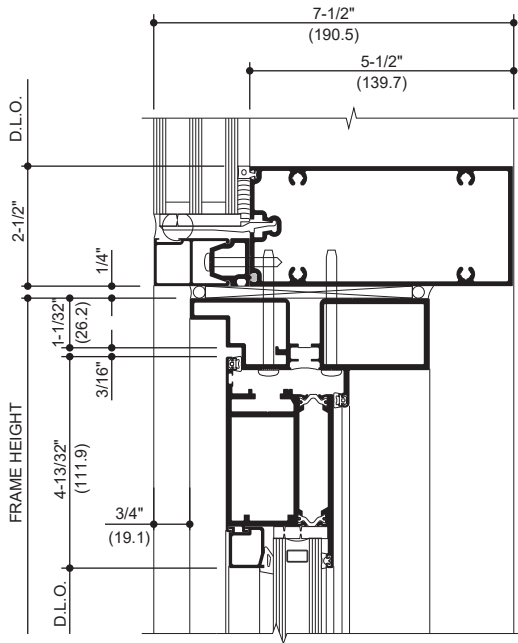
Additional information and CAD details are available at [www.kawneer.com](http://www.kawneer.com)

5-1/2" mullion depth shown, 8" mullion depth similar.

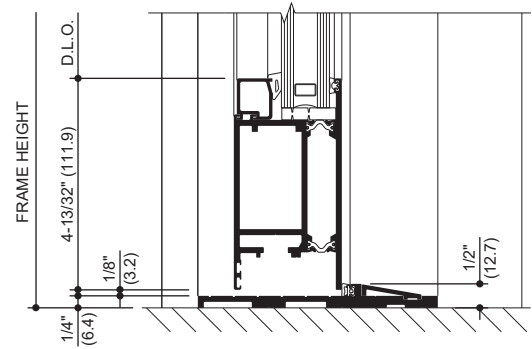


OUTSWING DOORS & FRAME

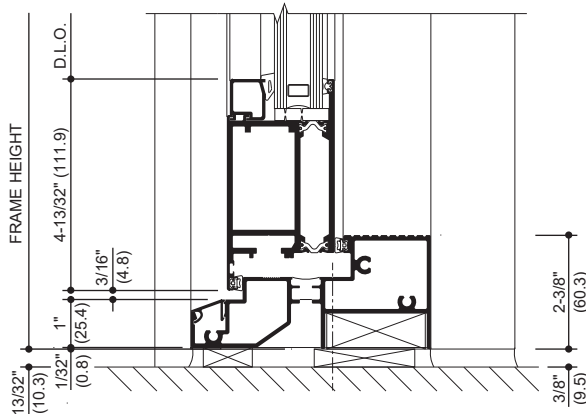
1  
HEAD



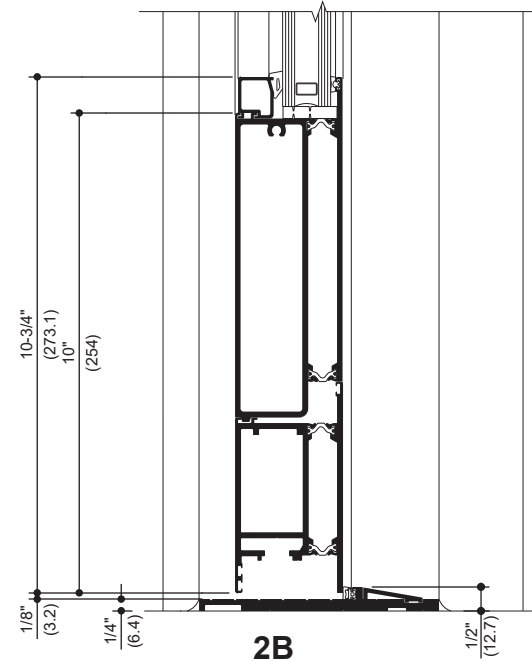
2A  
OPTIONAL  
LOW PROFILE THRESHOLD



2  
THRESHOLD



2B  
OPTIONAL LOW PROFILE THRESHOLD  
WITH 10\"/>



Laws and building and safety codes governing the design and use of Kawneer products, such as glazed entrance, window, and curtain wall products, vary widely. Kawneer does not control the selection of product configurations, operating hardware, or glazing materials, and assumes no responsibility therefor.

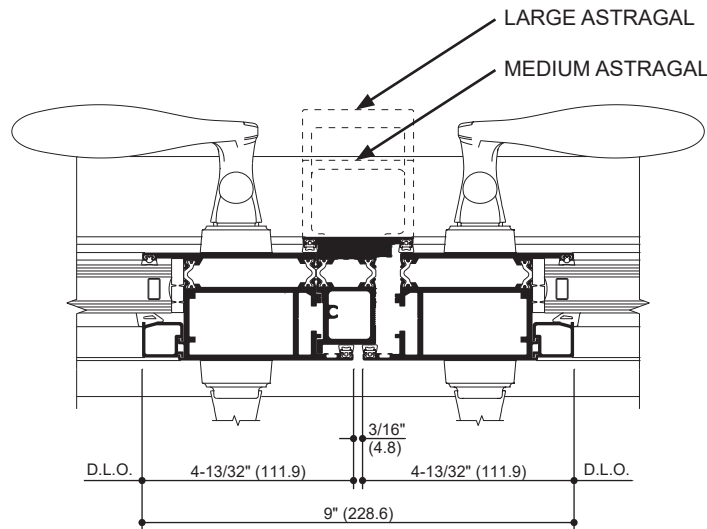
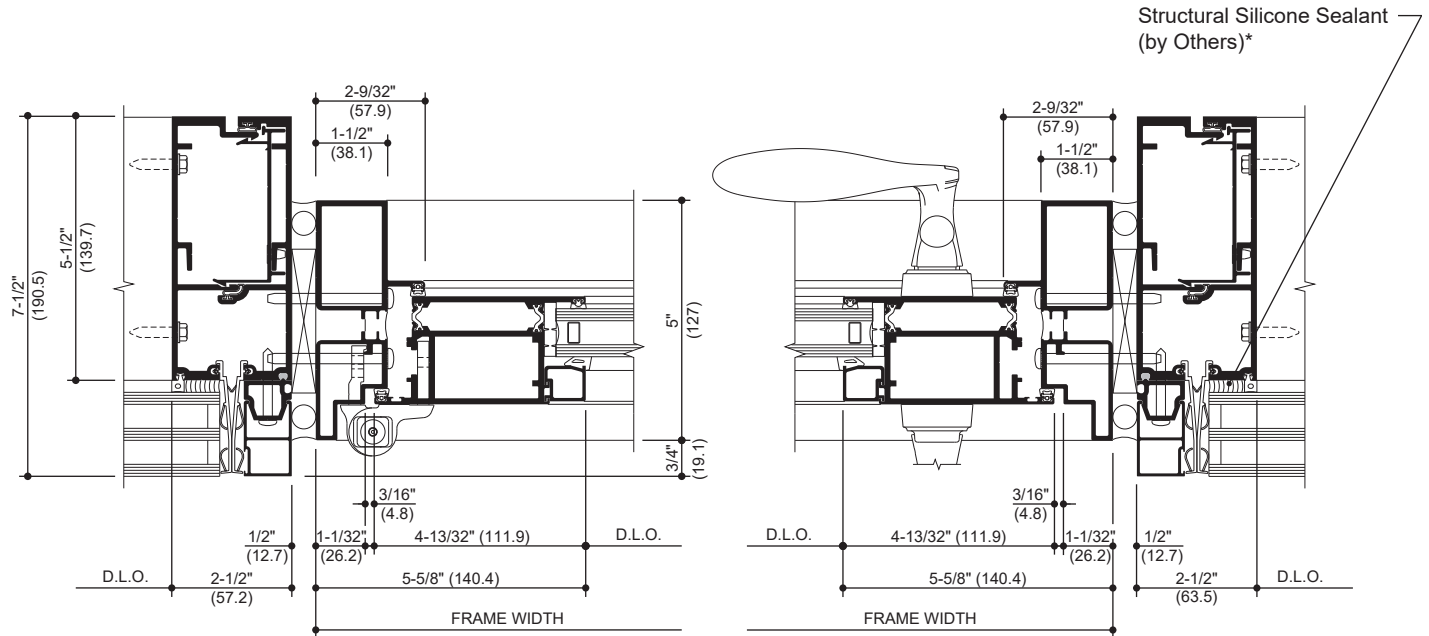
Kawneer reserves the right to change configuration without prior notice when deemed necessary for product improvement.  
© 2026, Kawneer Company, Inc.

Additional information and CAD details are available at [www.kawneer.com](http://www.kawneer.com)

5-1/2" mullion depth shown, 8" mullion depth similar.

Laws and building and safety codes governing the design and use of Kawneer products, such as glazed entrance, window, and curtain wall products, vary widely. Kawneer does not control the selection of product configurations, operating hardware, or glazing materials, and assumes no responsibility therefor.

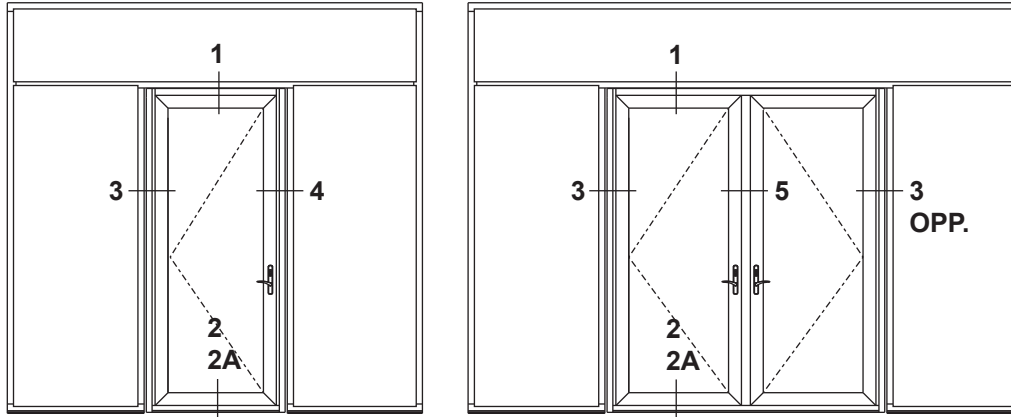
Kawneer reserves the right to change configuration without prior notice when deemed necessary for product improvement.  
© 2026, Kawneer Company, Inc.



\* INSTALLER NOTE: Installer is responsible for all required compatibility review and approvals with the Structural Silicone Manufacturer and the Insulating Glass Unit Manufacturer.

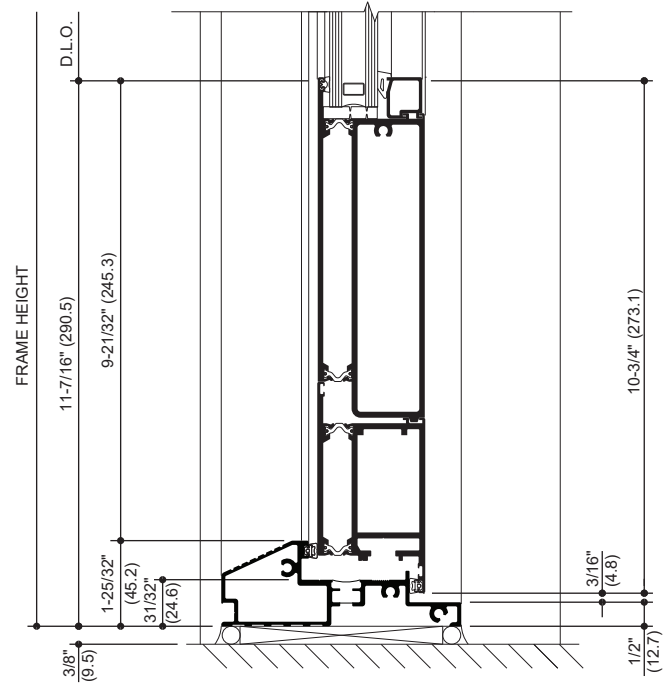
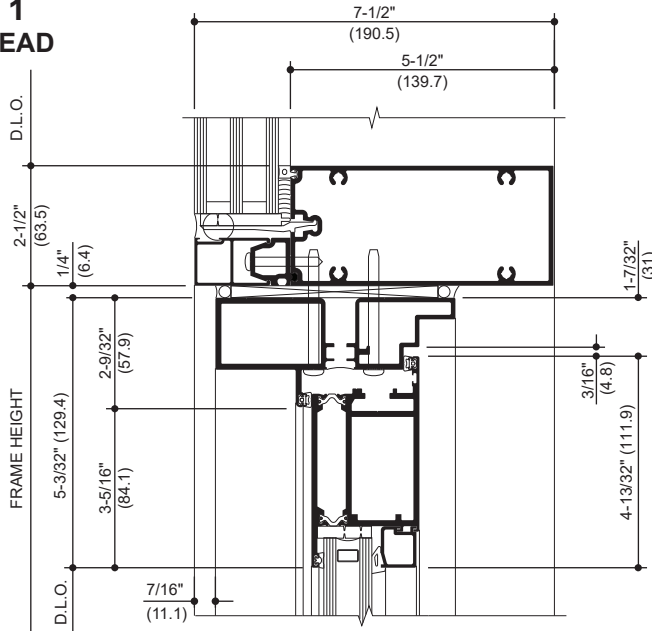
Additional information and CAD details are available at [www.kawneer.com](http://www.kawneer.com)

5-1/2" mullion depth shown, 8" mullion depth similar.

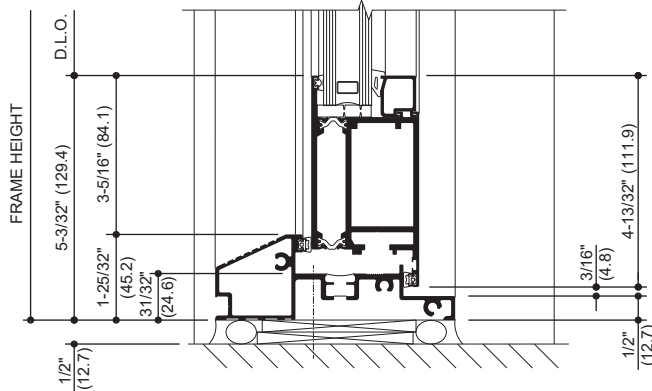


**INSWING DOORS & FRAME**

**1 HEAD**



**2A  
OPTIONAL THRESHOLD  
WITH 10" BOTTOM RAIL**



**2  
THRESHOLD**

Laws and building and safety codes governing the design and use of Kawneer products, such as glazed entrance, window, and curtain wall products, vary widely. Kawneer does not control the selection of product configurations, operating hardware, or glazing materials, and assumes no responsibility therefor.

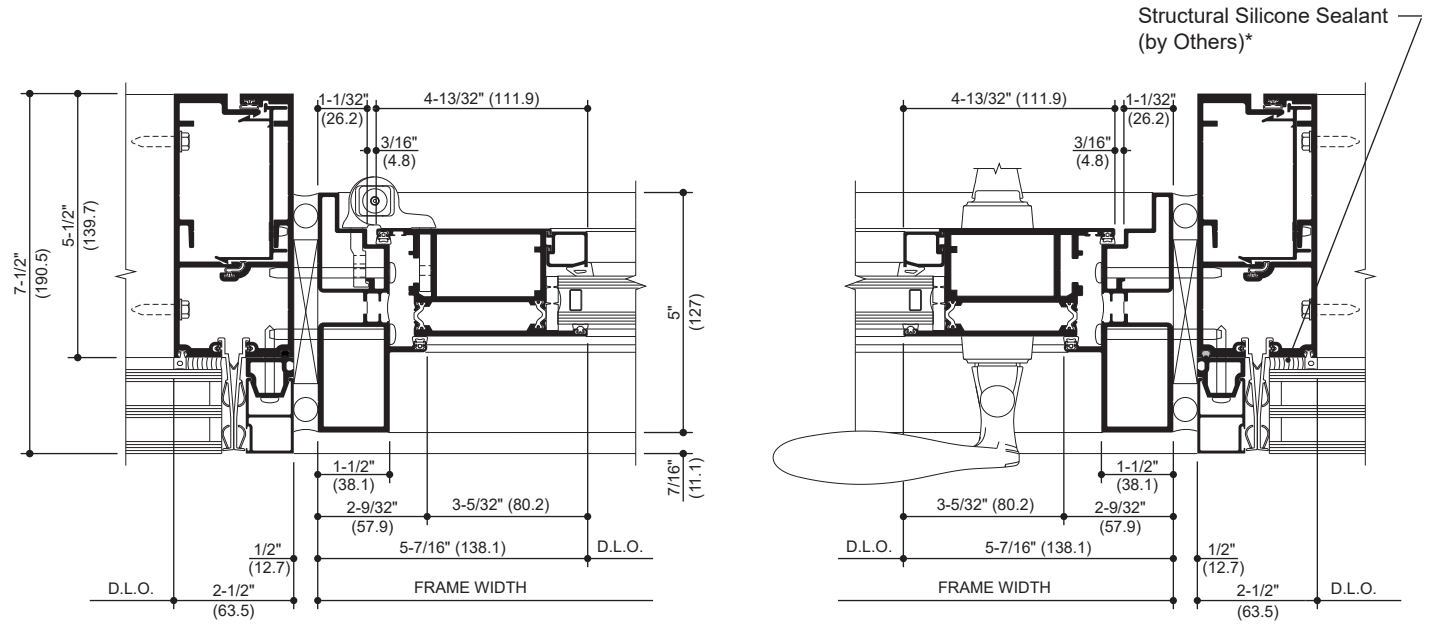
Kawneer reserves the right to change configuration without prior notice when deemed necessary for product improvement.  
© 2026, Kawneer Company, Inc.

Additional information and CAD details are available at [www.kawneer.com](http://www.kawneer.com)

5-1/2" mullion depth shown, 8" mullion depth similar.

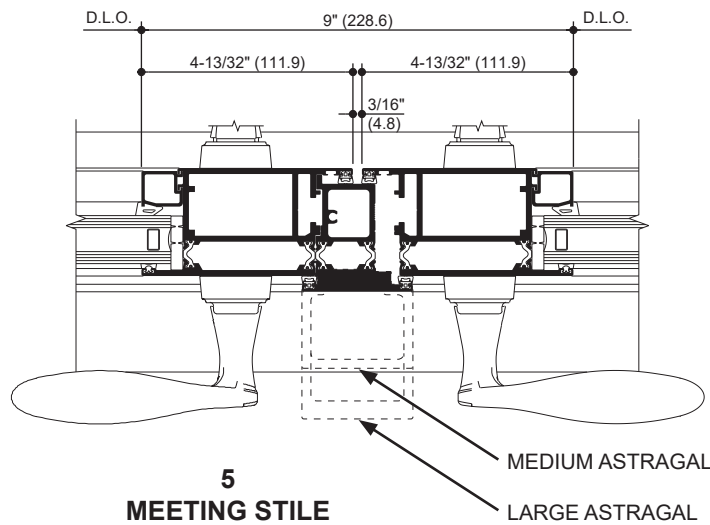
Laws and building and safety codes governing the design and use of Kawneer products, such as glazed entrance, window, and curtain wall products, vary widely. Kawneer does not control the selection of product configurations, operating hardware, or glazing materials, and assumes no responsibility therefor.

Kawneer reserves the right to change configuration without prior notice when deemed necessary for product improvement.  
© 2026, Kawneer Company, Inc.



**3**  
**PIVOT JAMB**

**4**  
**LOCK JAMB**  
**AT DEADBOLT/LATCHLOCK**

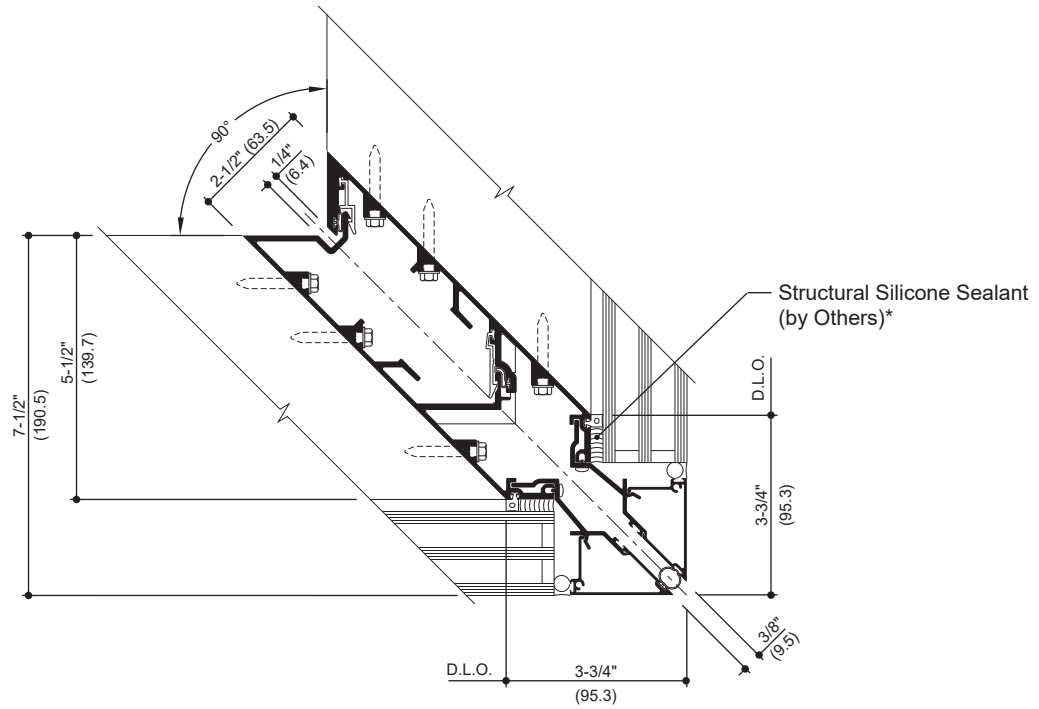


**5**  
**MEETING STILE**

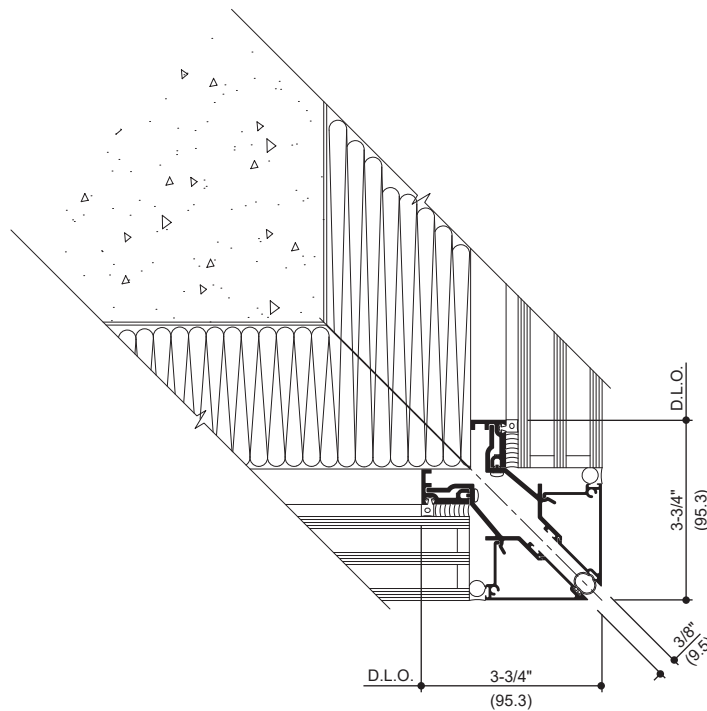
\* **INSTALLER NOTE:** Installer is responsible for all required compatibility review and approvals with the Structural Silicone Manufacturer and the Insulating Glass Unit Manufacturer.

Additional information and CAD details are available at [www.kawneer.com](http://www.kawneer.com)

5-1/2" mullion depth shown, 8" mullion depth similar.



**90° OUTSIDE CORNER**



**90° OUTSIDE CORNER AT SLAB EDGE**

Laws and building and safety codes governing the design and use of Kawneer products, such as glazed entrance, window, and curtain wall products, vary widely. Kawneer does not control the selection of product configurations, operating hardware, or glazing materials, and assumes no responsibility therefor.

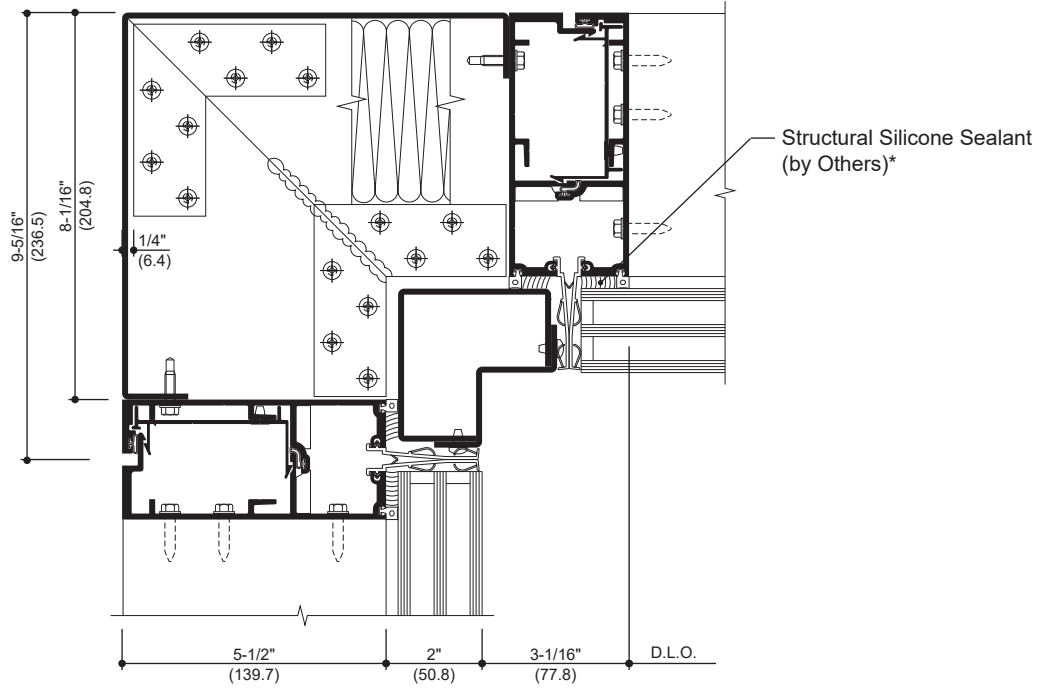
Kawneer reserves the right to change configuration without prior notice when deemed necessary for product improvement.  
© 2026, Kawneer Company, Inc.

\* **INSTALLER NOTE:** Installer is responsible for all required compatibility review and approvals with the Structural Silicone Manufacturer and the Insulating Glass Unit Manufacturer.

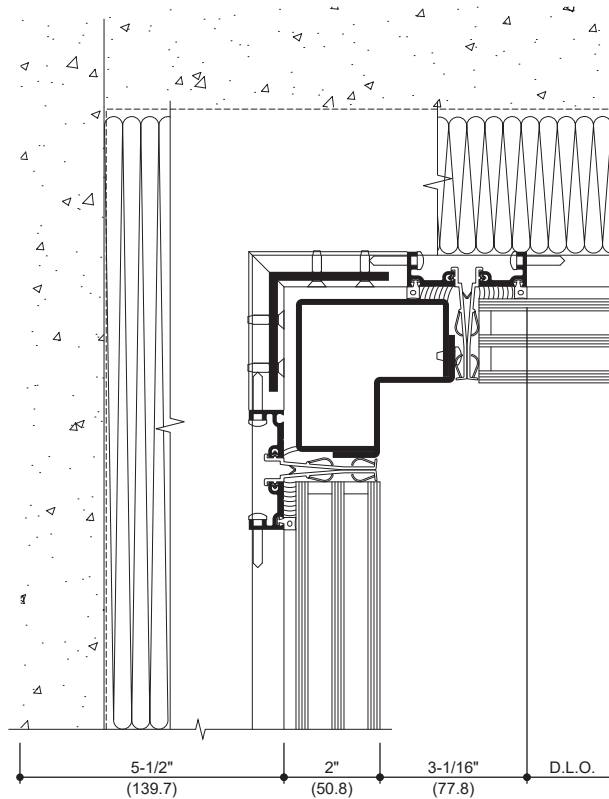
Additional information and CAD details are available at [www.kawneer.com](http://www.kawneer.com)

5-1/2" mullion depth shown, 8" mullion depth similar.

90° INSIDE  
CORNER



90° INSIDE CORNER  
AT SLAB EDGE



\* **INSTALLER NOTE:** Installer is responsible for all required compatibility review and approvals with the Structural Silicone Manufacturer and the Insulating Glass Unit Manufacturer.

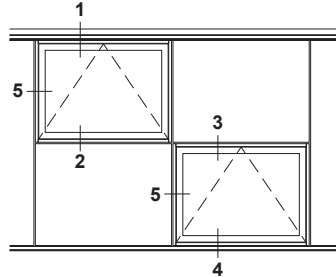
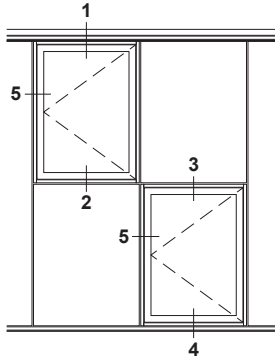
Laws and building and safety codes governing the design and use of Kawneer products, such as glazed entrance, window, and curtain wall products, vary widely. Kawneer does not control the selection of product configurations, operating hardware, or glazing materials, and assumes no responsibility therefor.

Kawneer reserves the right to change configuration without prior notice when deemed necessary for product improvement.  
© 2026, Kawneer Company, Inc.

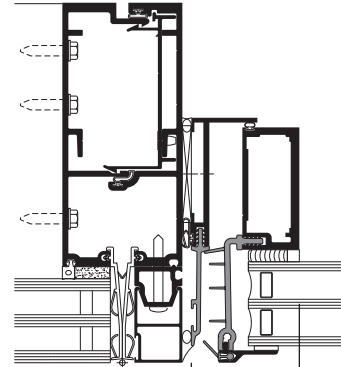
Additional information and CAD details are available at [www.kawneer.com](http://www.kawneer.com)

5-1/2" mullion depth shown, 8" mullion depth similar.

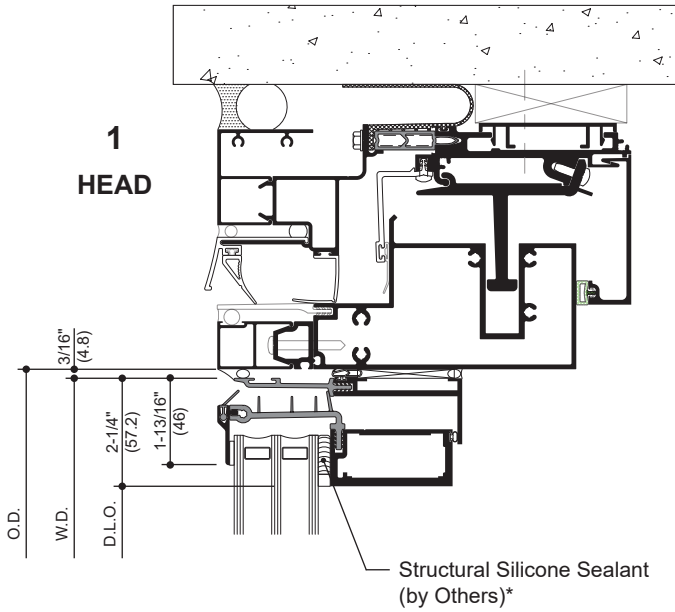
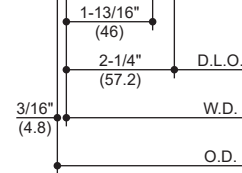
PROJECT-OUT WINDOW SHOWN  
CASEMENT OUTSWING ALSO AVAILABLE



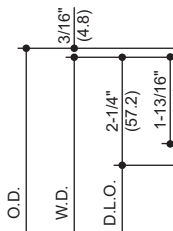
ELEVATION IS NUMBER KEYED TO DETAILS



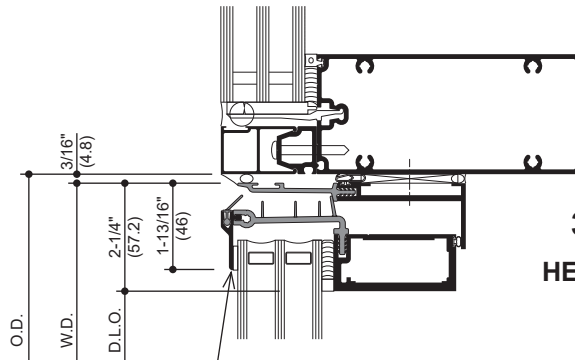
5  
JAMB



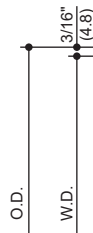
1  
HEAD



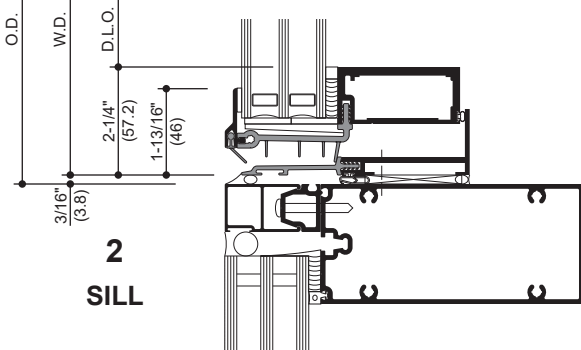
Structural Silicone Sealant  
(by Others)\*



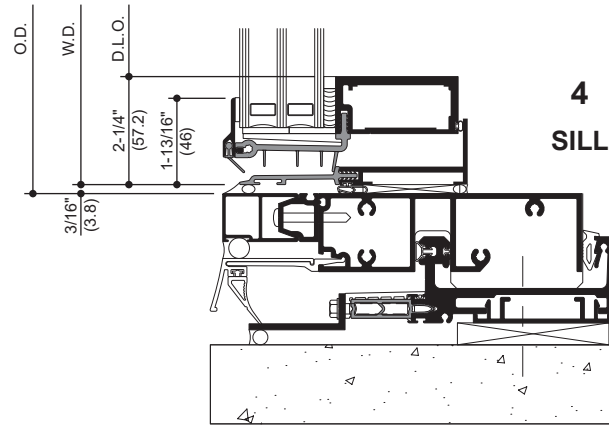
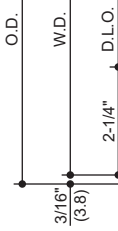
3  
HEAD



Trim Cover available  
in #29 Black anodized  
finish only



2  
SILL



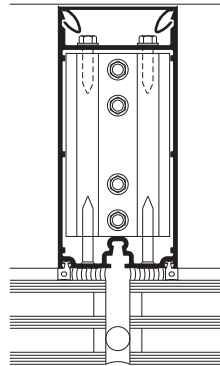
4  
SILL



\* INSTALLER NOTE: Installer is responsible for all required compatibility review and approvals with the Structural Silicone Manufacturer and the Insulating Glass Unit Manufacturer.

Additional information and CAD details are available at [www.kawneer.com](http://www.kawneer.com)

5-1/2" mullion depth shown, 8" mullion depth similar.



**CRIPPLE MULLION**

Laws and building and safety codes governing the design and use of Kawneer products, such as glazed entrance, window, and curtain wall products, vary widely. Kawneer does not control the selection of product configurations, operating hardware, or glazing materials, and assumes no responsibility therefor.

Kawneer reserves the right to change configuration without prior notice when deemed necessary for product improvement.  
© 2026, Kawneer Company, Inc.

Laws and building and safety codes governing the design and use of Kawneer products, such as glazed entrance, window, and curtain wall products, vary widely. Kawneer does not control the selection of product configurations, operating hardware, or glazing materials, and assumes no responsibility therefor.

Kawneer reserves the right to change configuration without prior notice when deemed necessary for product improvement.  
© 2026, Kawneer Company, Inc.